

**B
b'
W
e**

**ig Flat Ultima
y DemonGti
/ingspan: 100
1.5**

ate

00mm

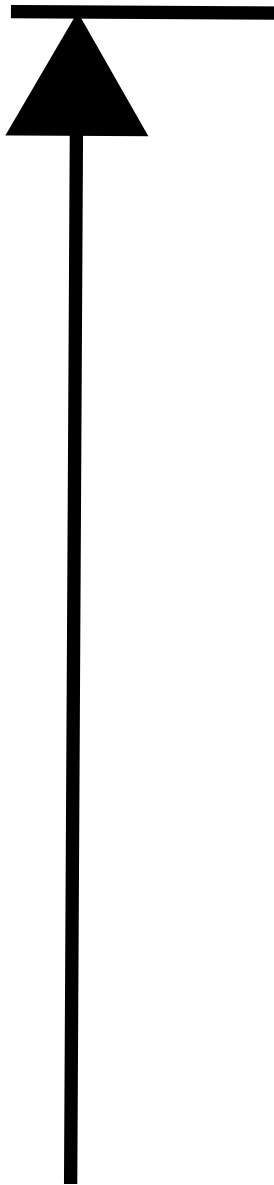
St

Motor: 900kV

Lipo: 2200mA

Prop:

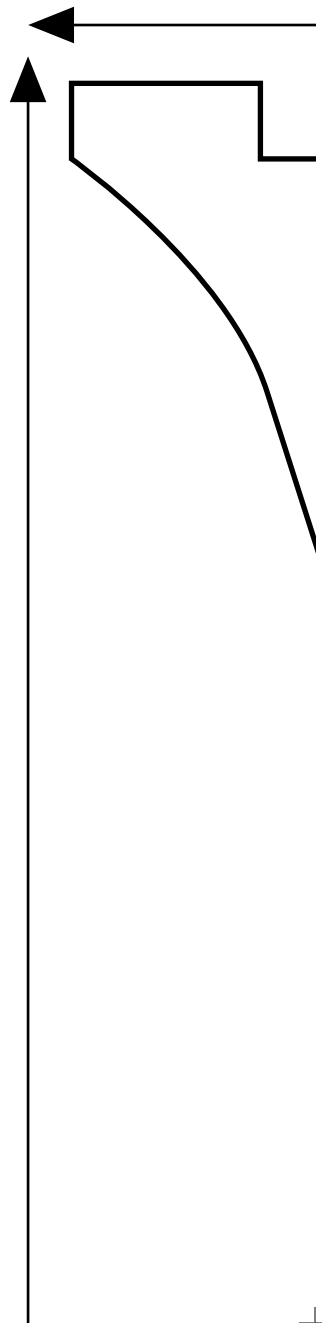
uggested setup
100g outrunner
Wh 20-30C 3S1P
APC 12x3.8 SF



5

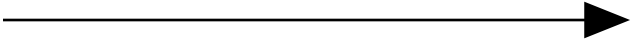
caie

1:5

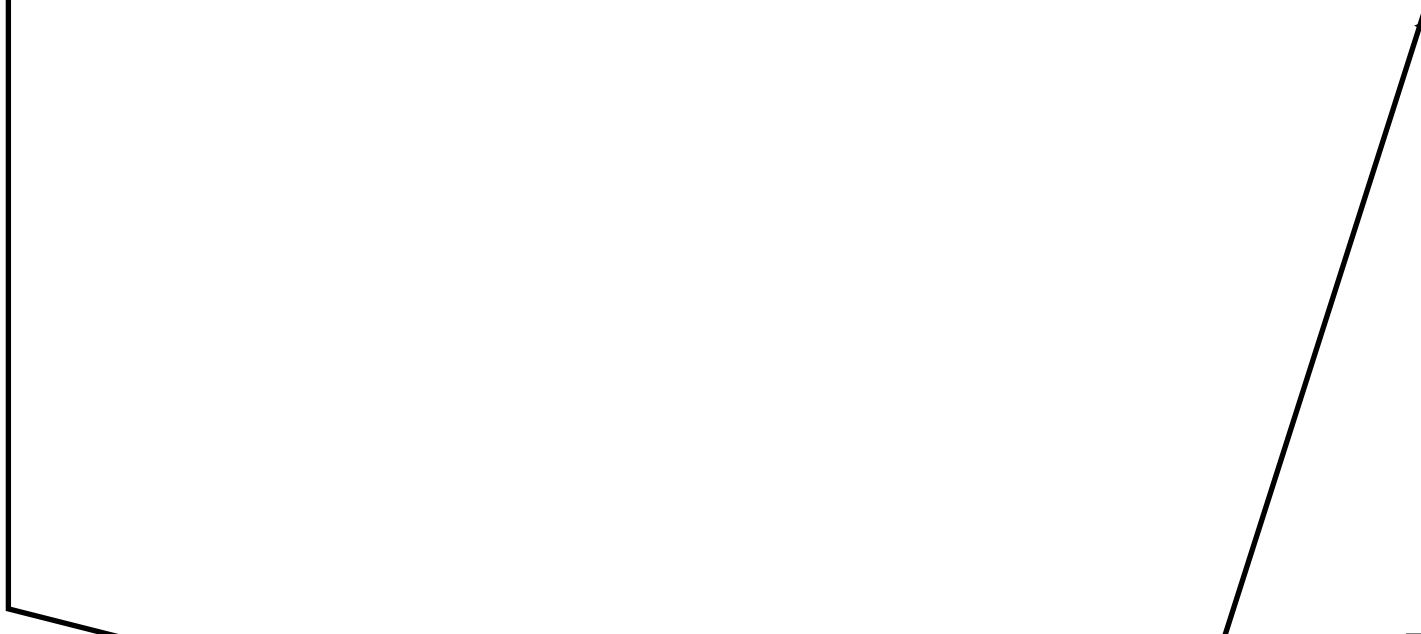
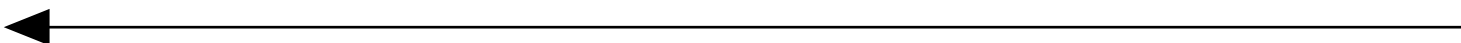


186mm

110mm



X2



410mm

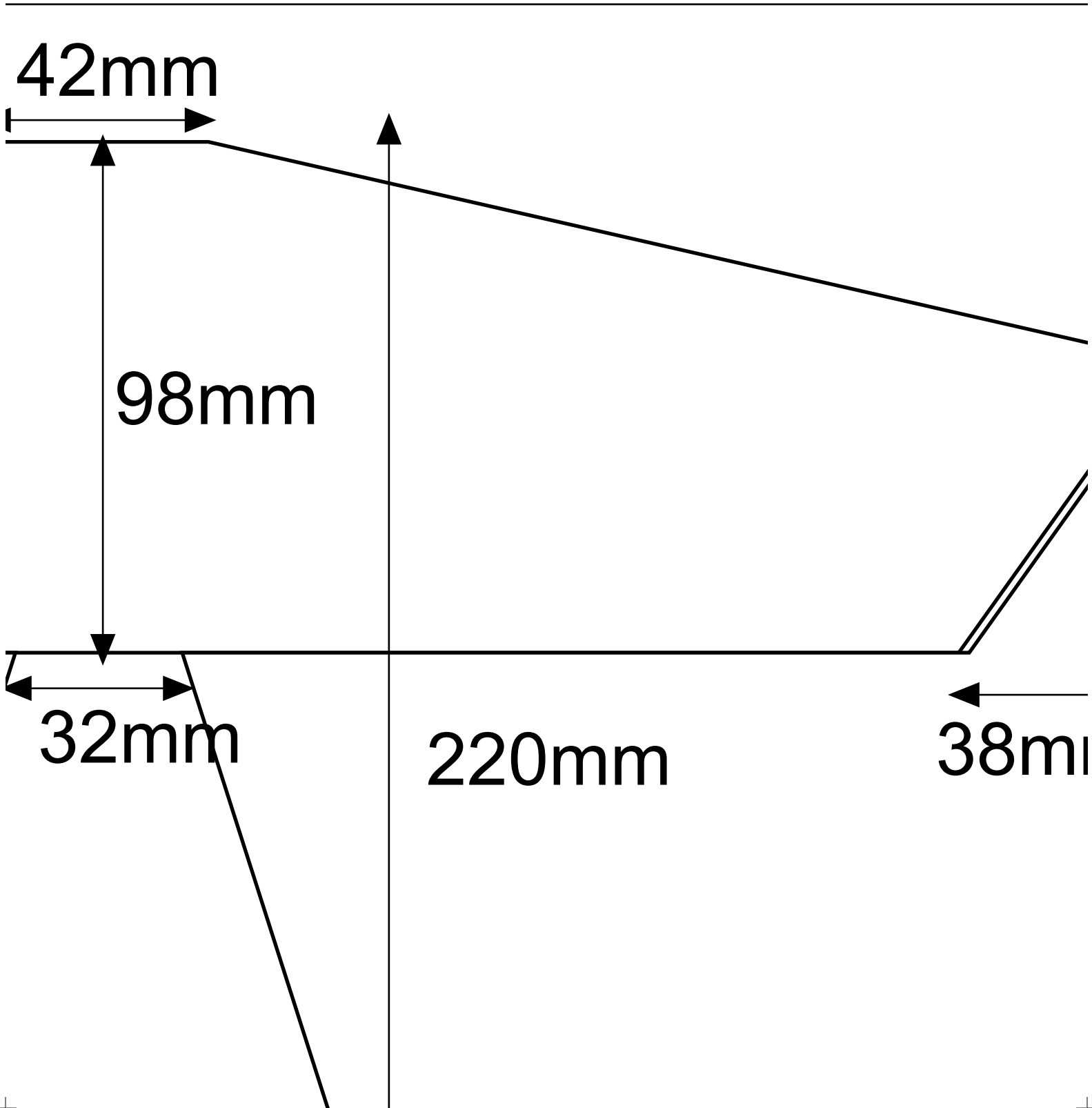
42mm

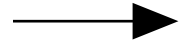
98mm

32mm

220mm

38mm





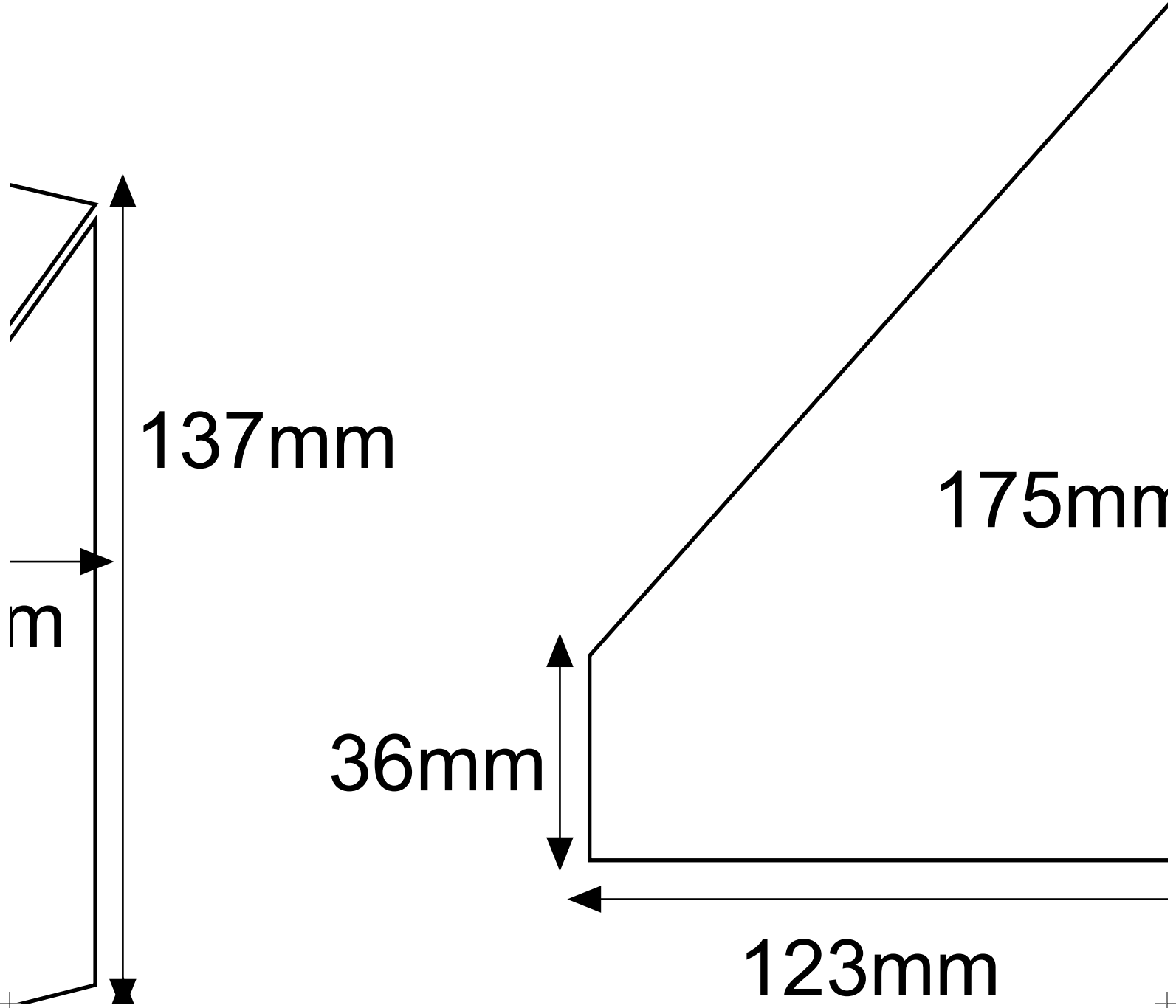
m

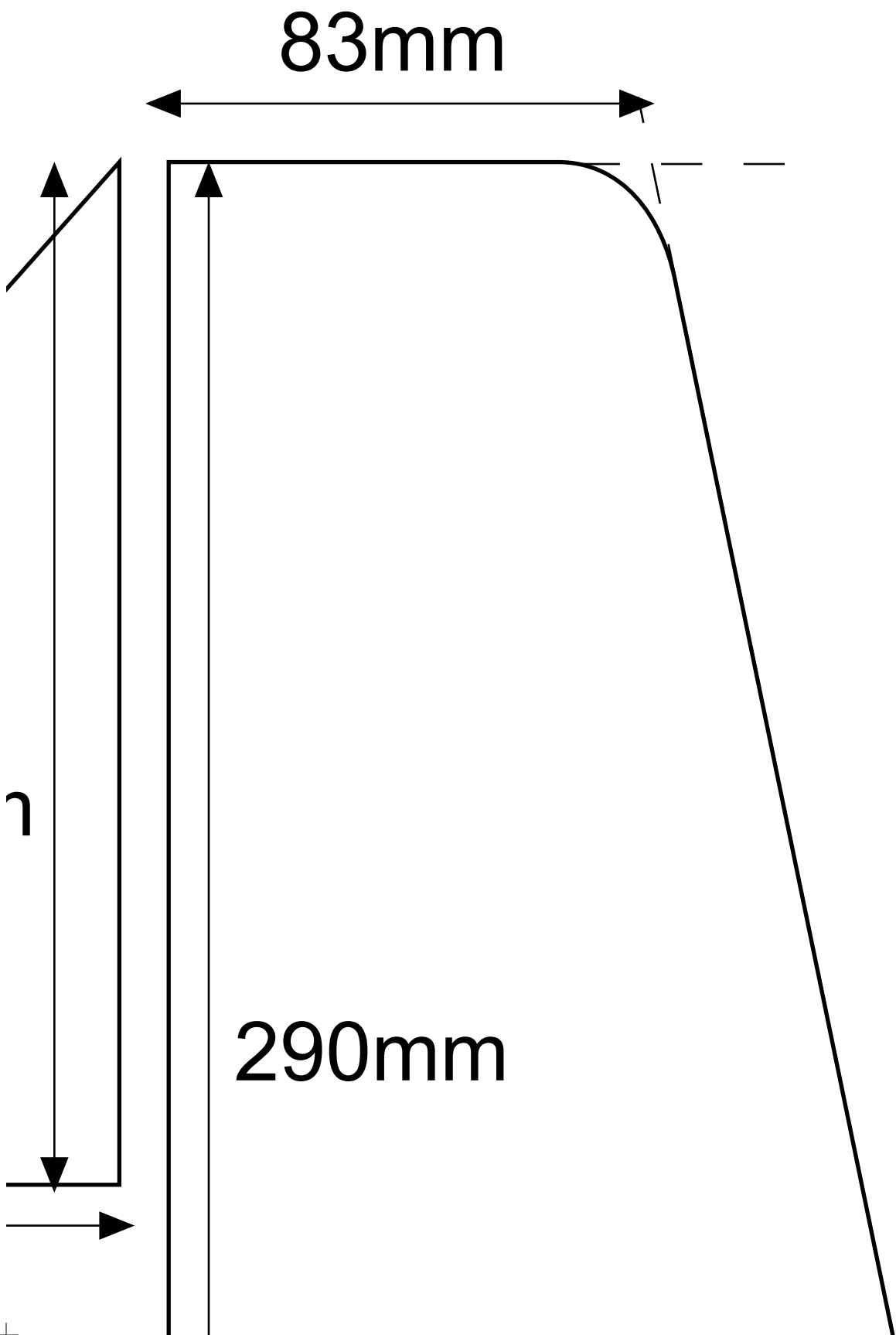
137mm

36mm

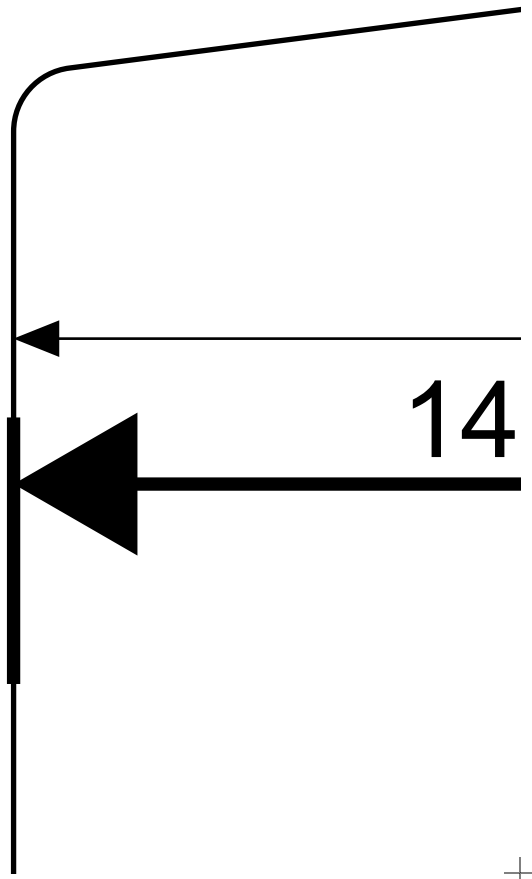
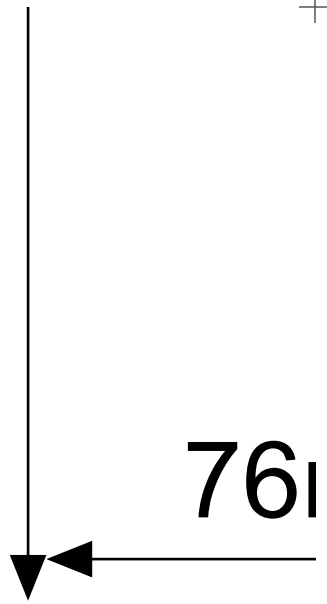
175mm

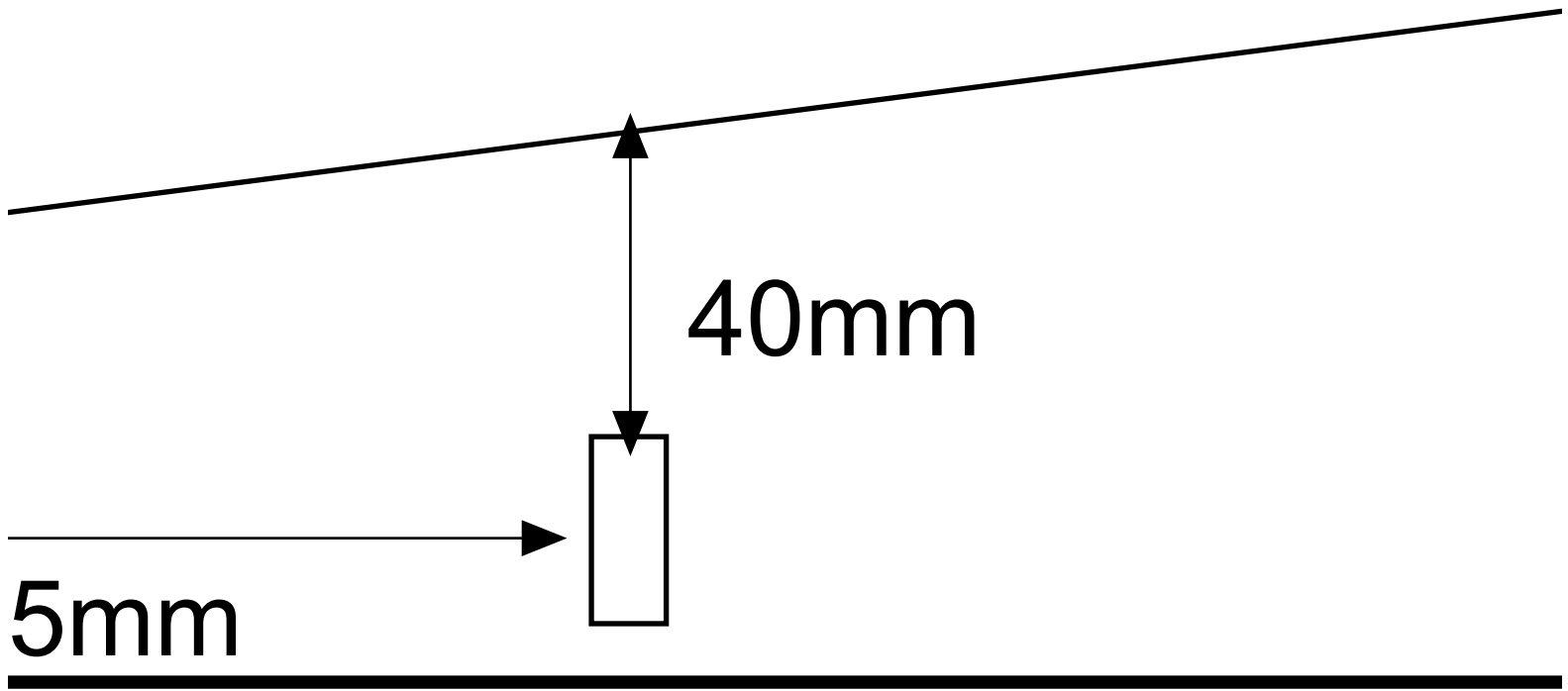
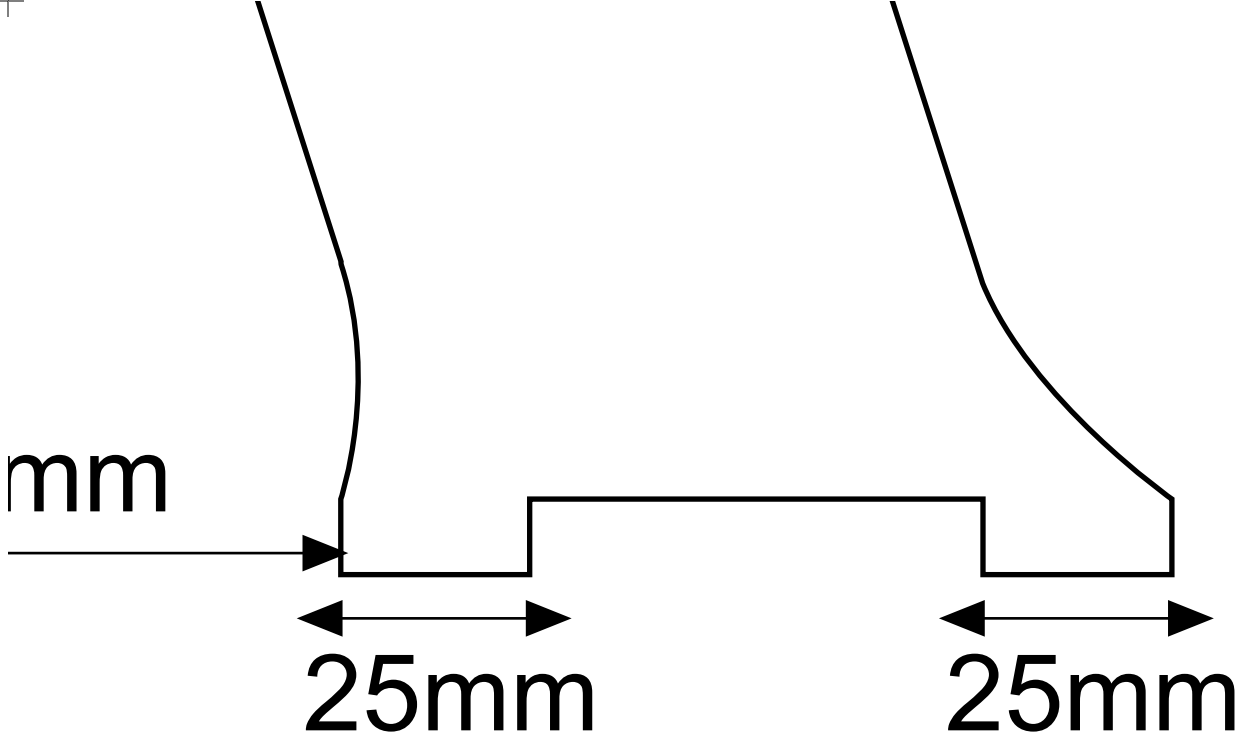
123mm

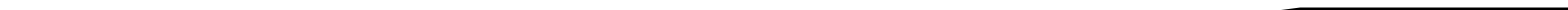
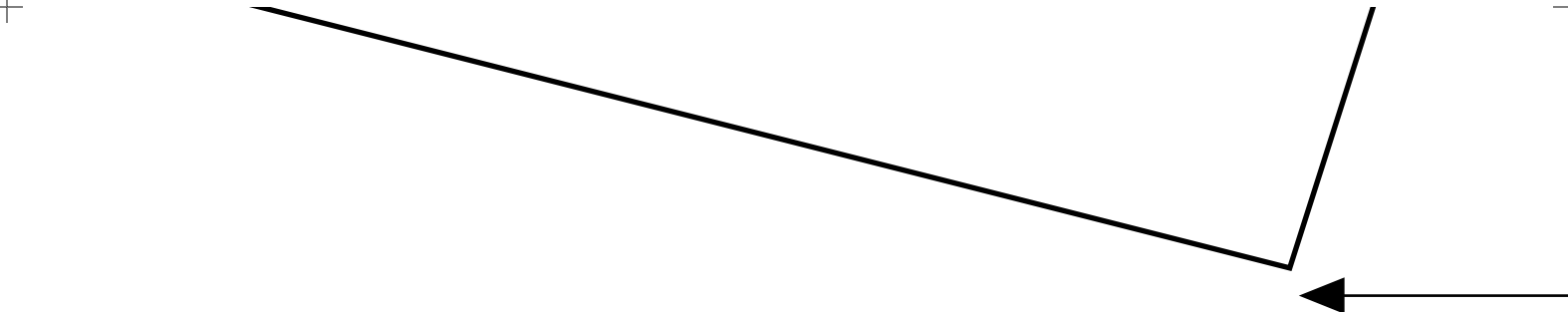






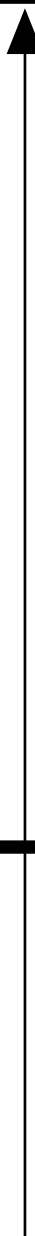


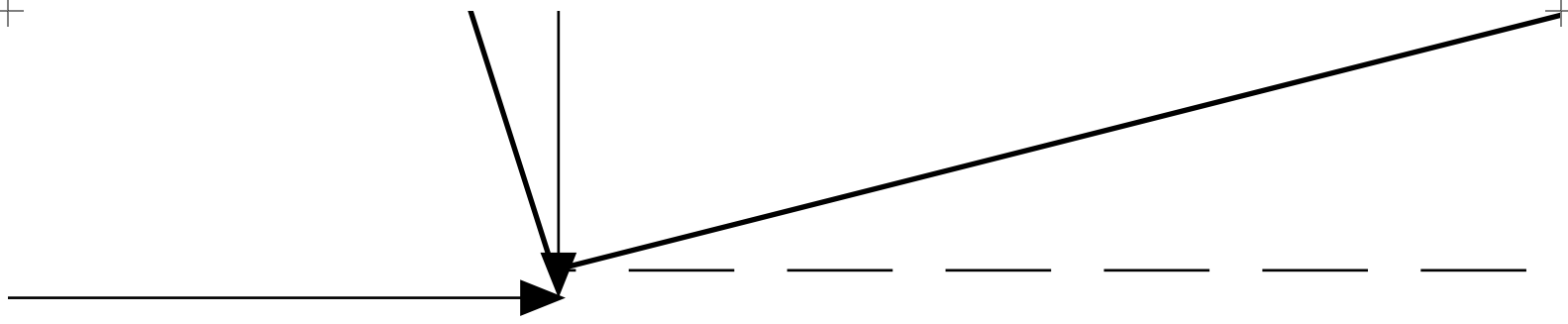




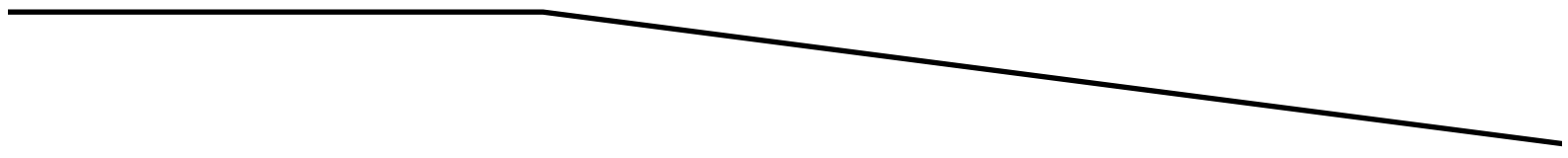
250mm

30




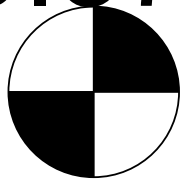


110mm



X2

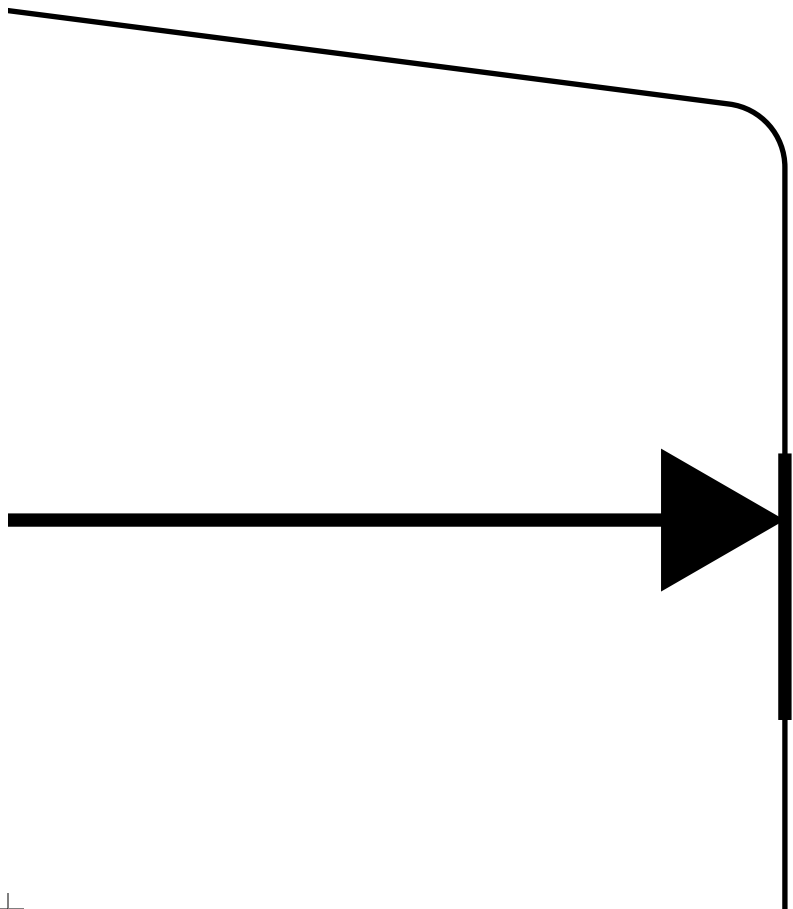
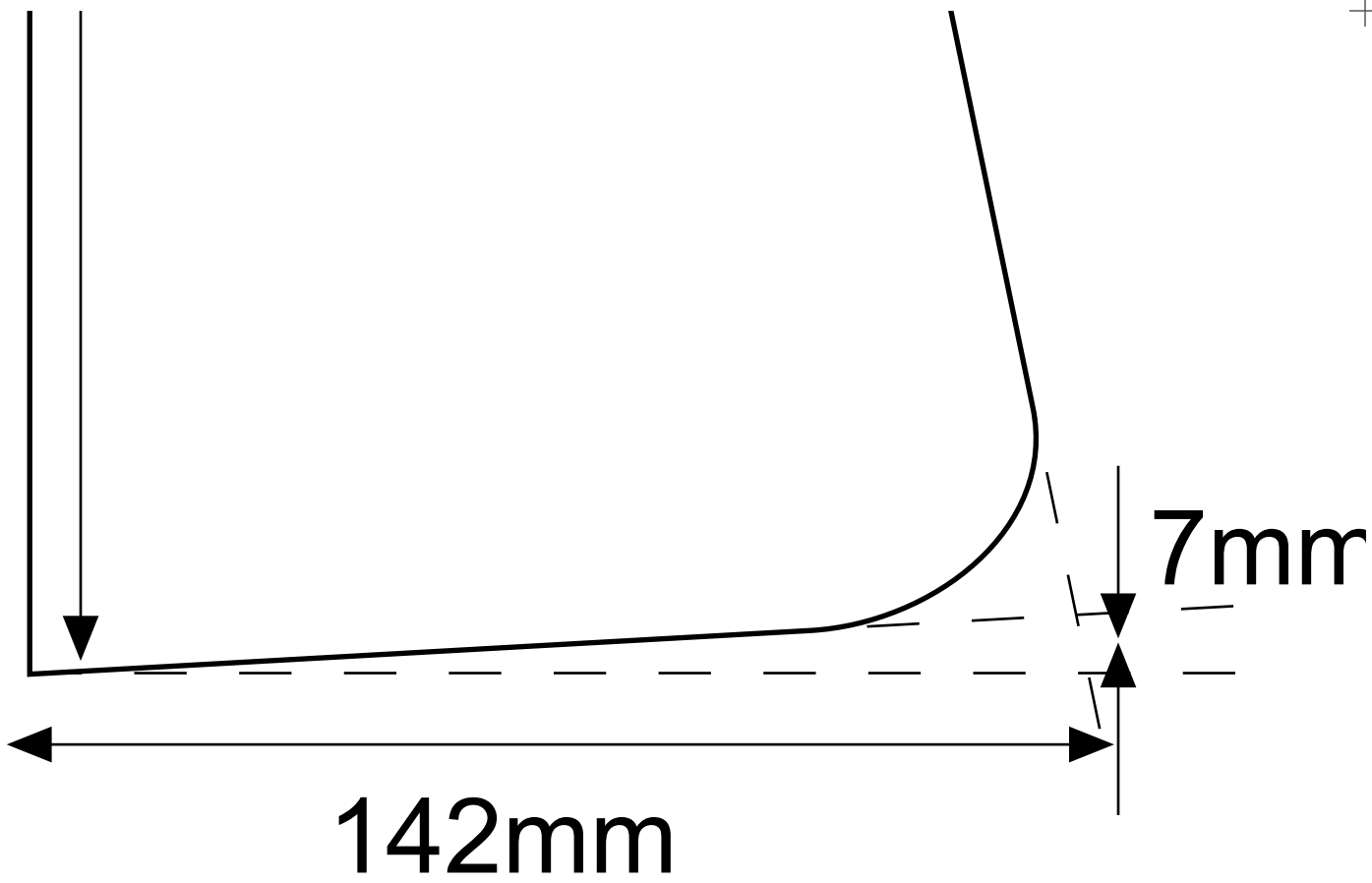
9.37 in  C.G. 125-130mm from leac
on top wing





38mm

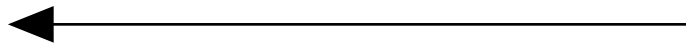
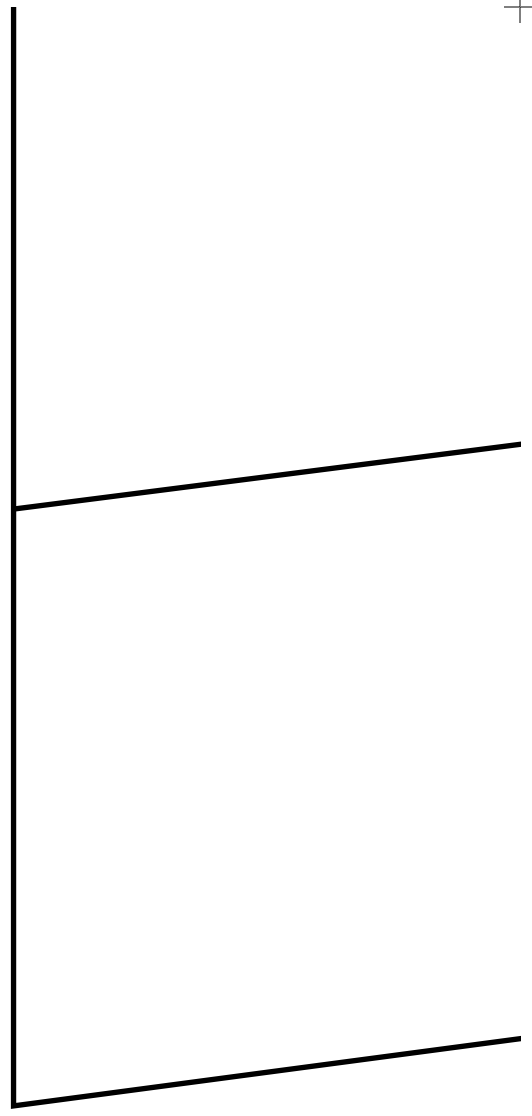
ding edge





1



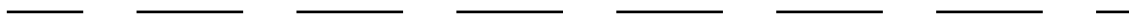
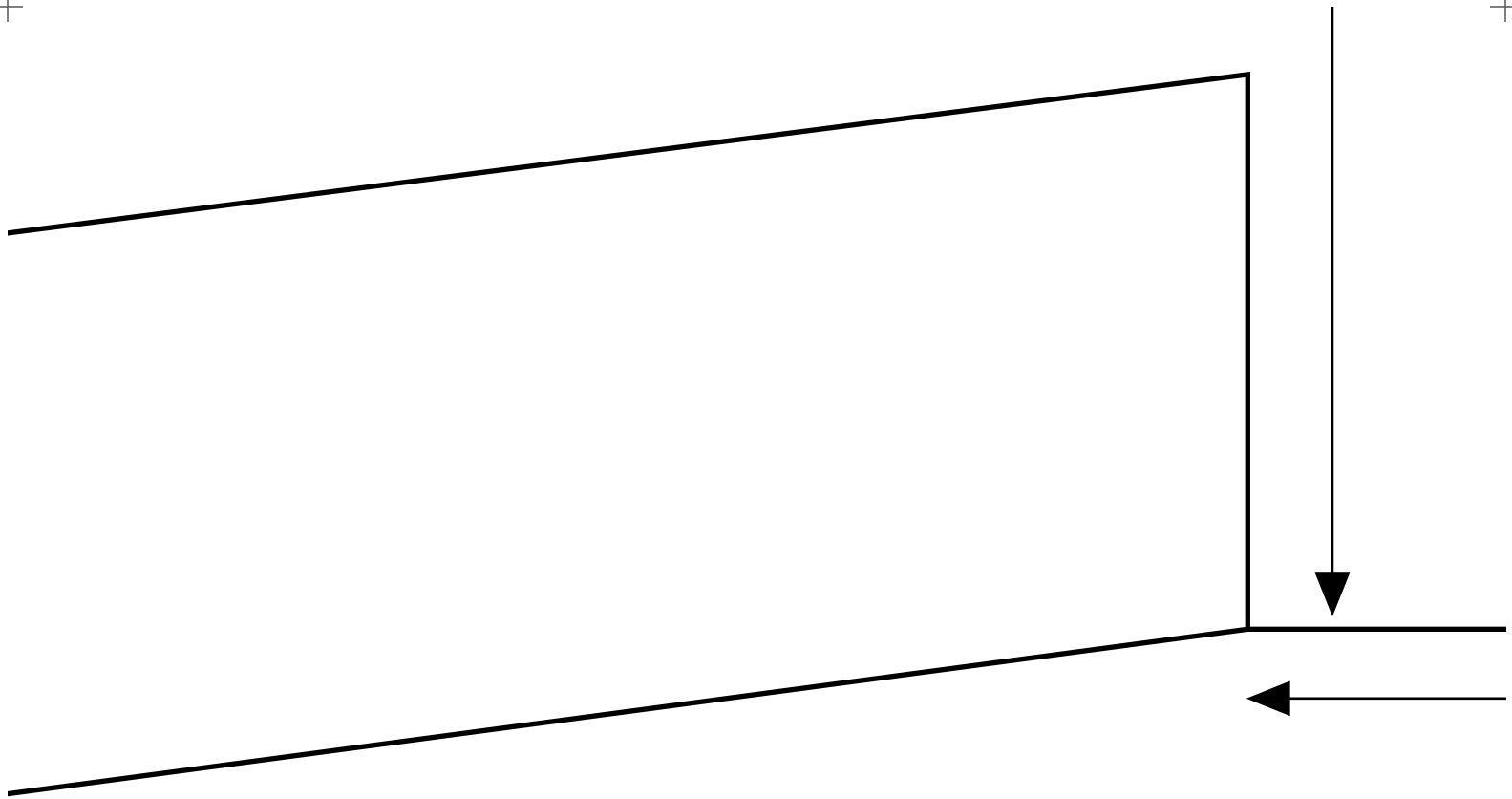


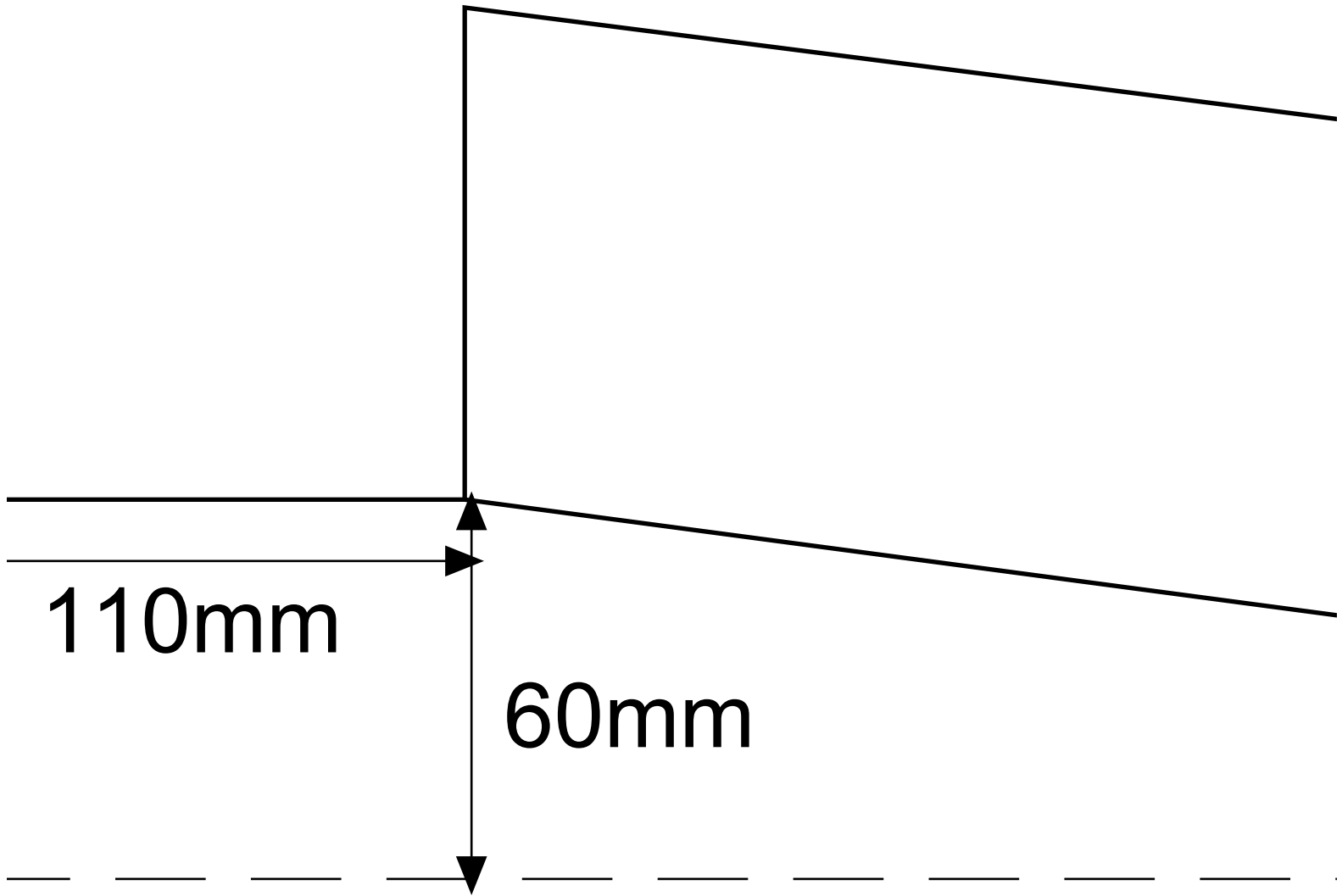


A solid black line sloping upwards from left to right, positioned in the upper third of the page.

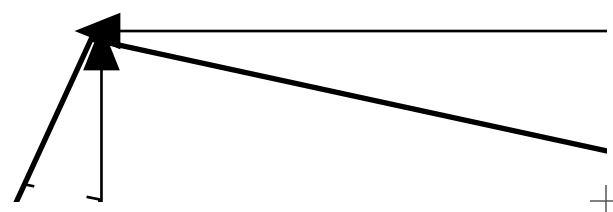
A second solid black line sloping upwards from left to right, positioned in the middle third of the page, parallel to the line above it.

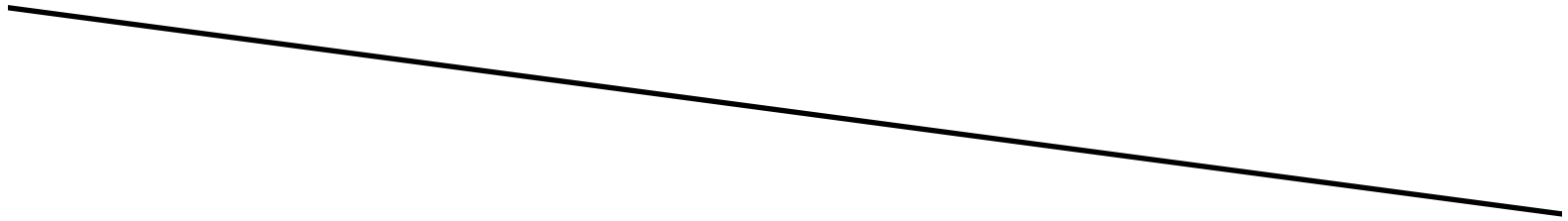
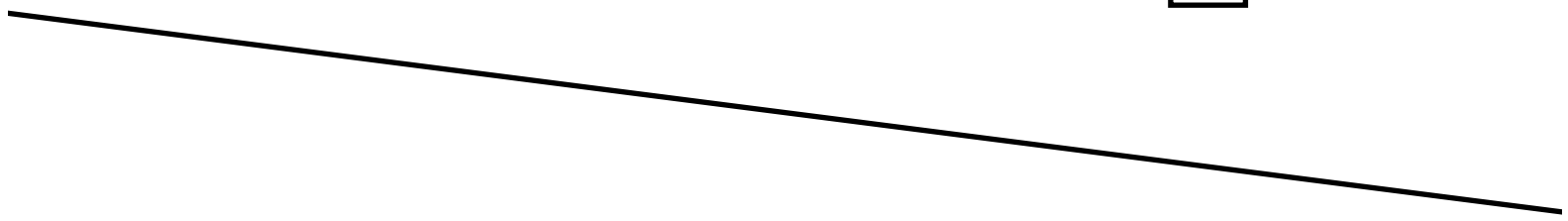
A solid black horizontal line spanning the width of the page, positioned near the bottom.





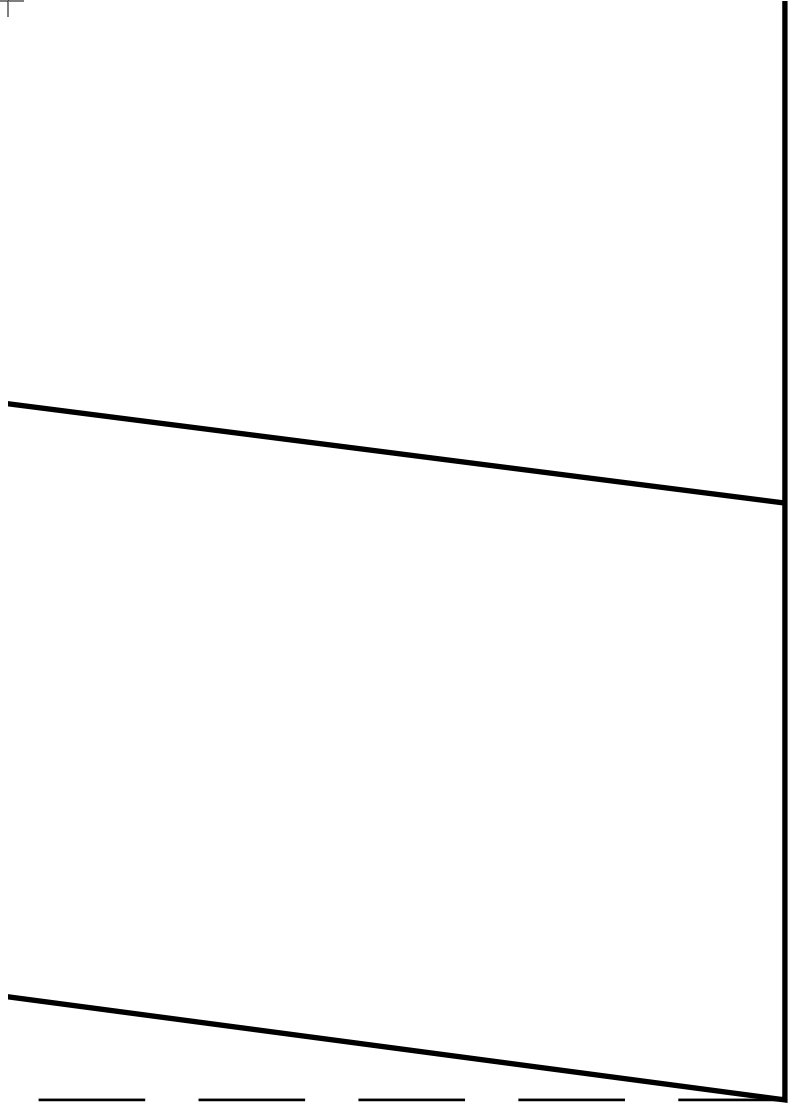
30mm



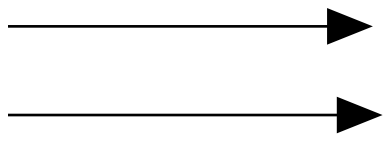


320mm

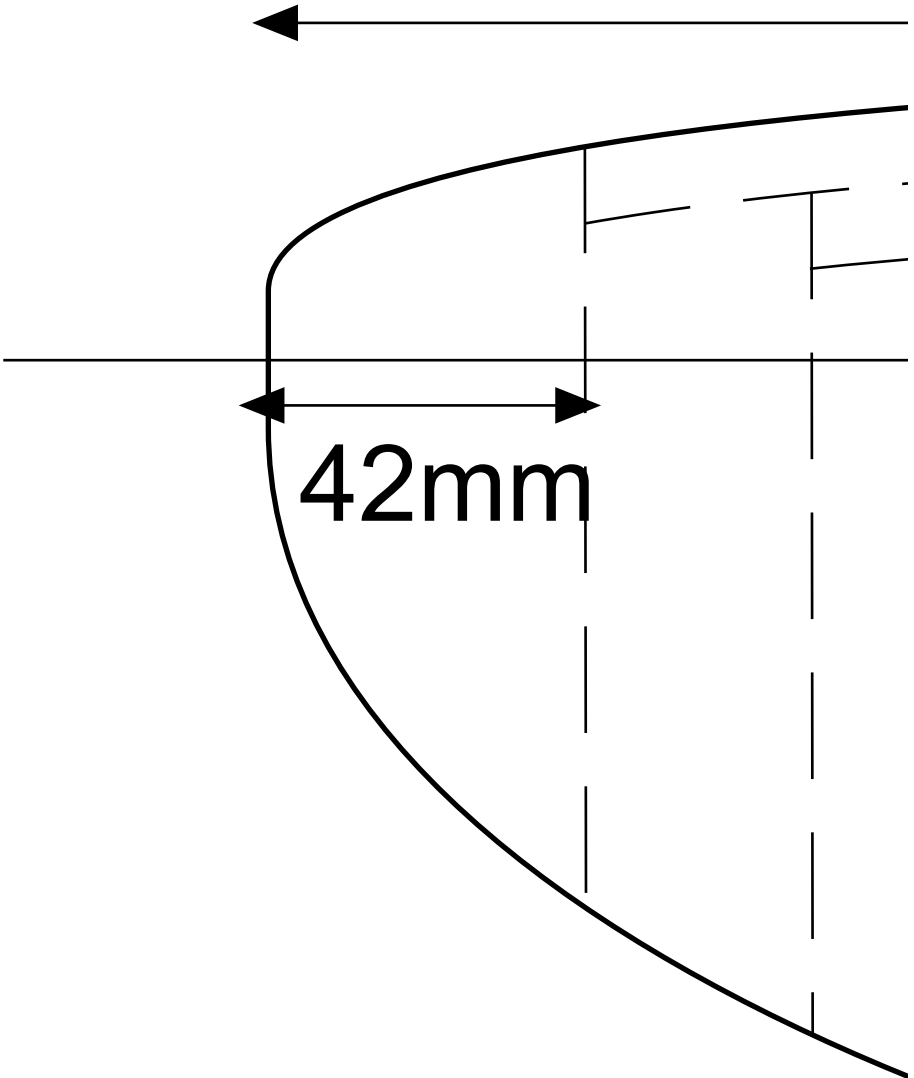




80mm

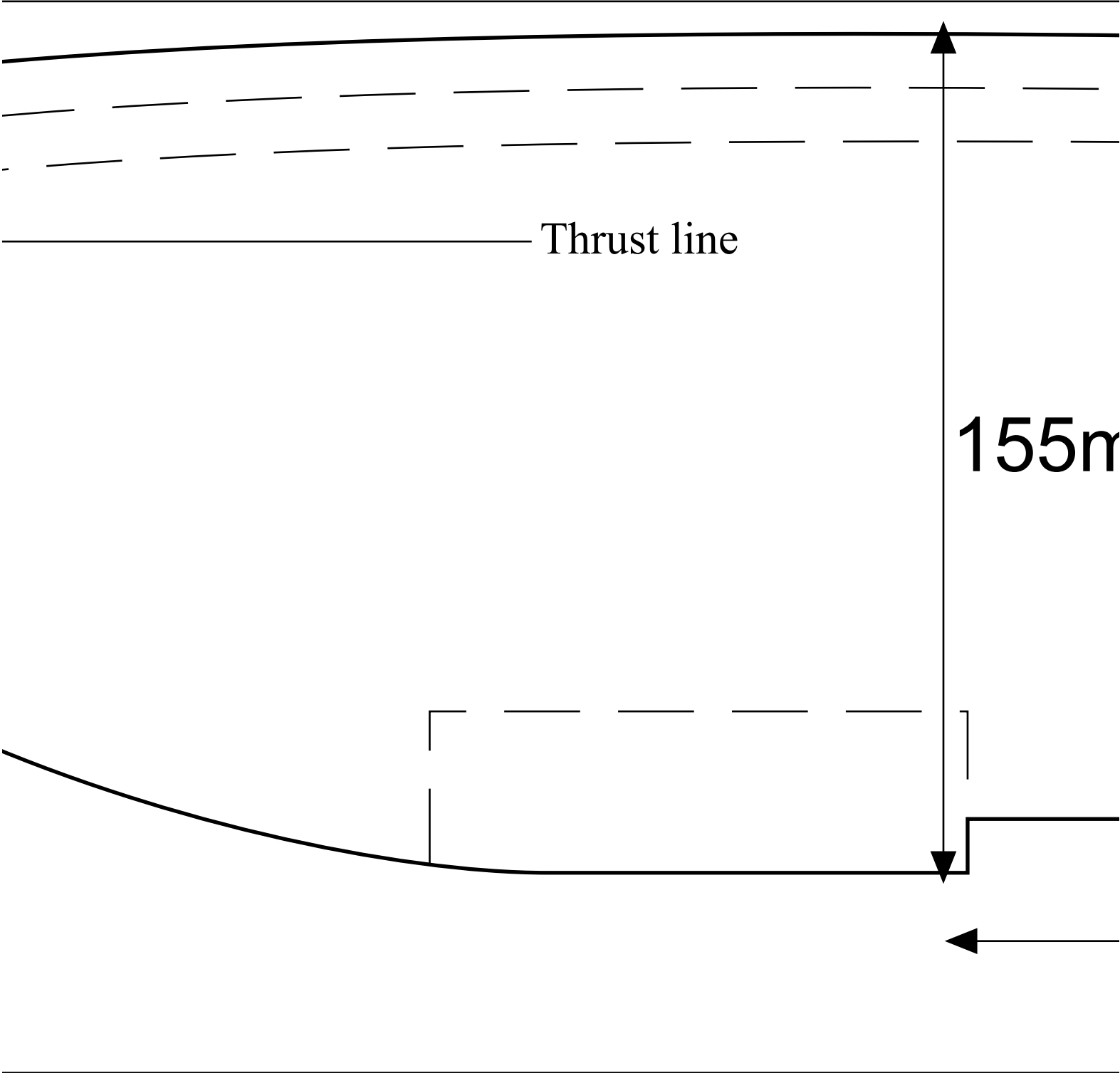






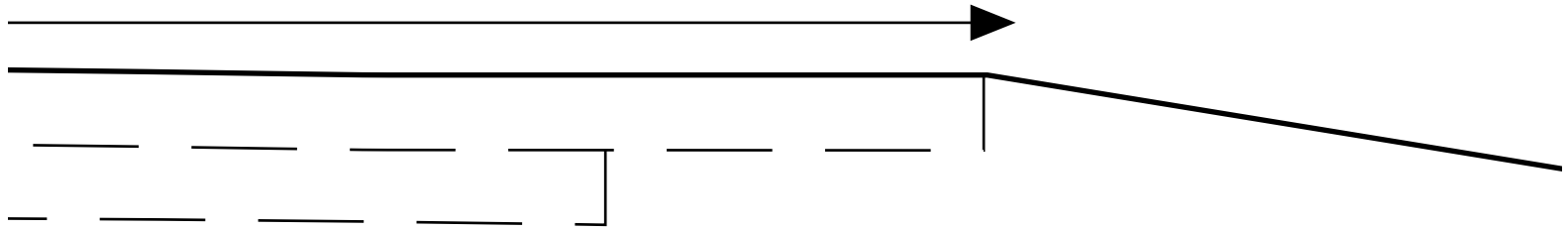
42mm

423mm



Thrust line

155r

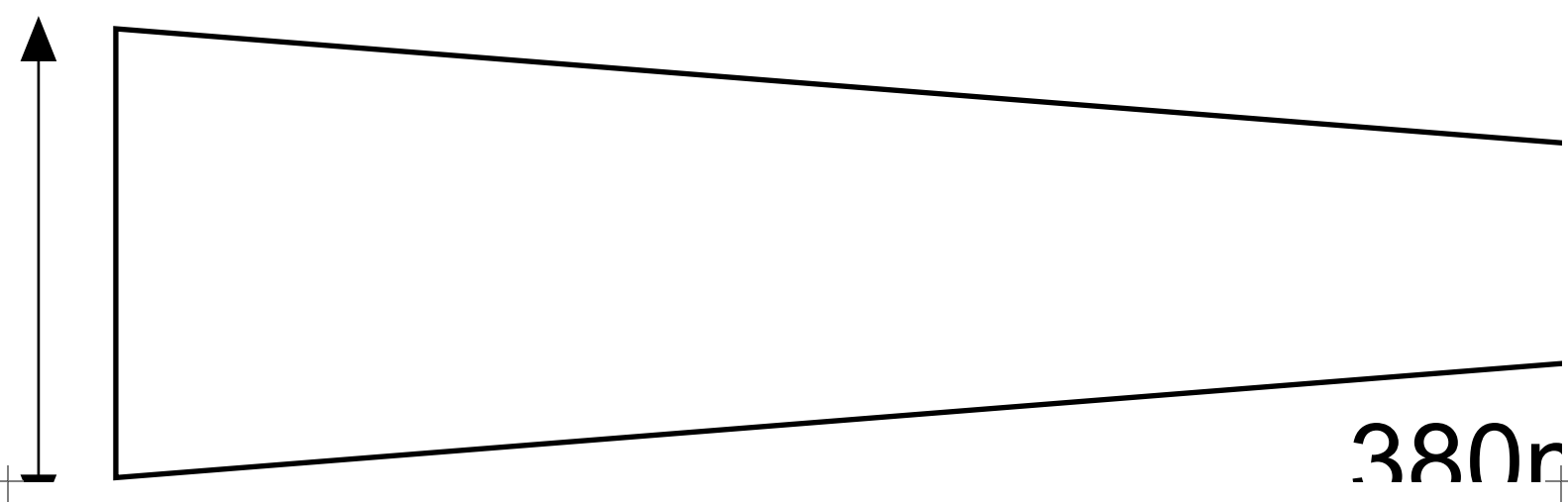
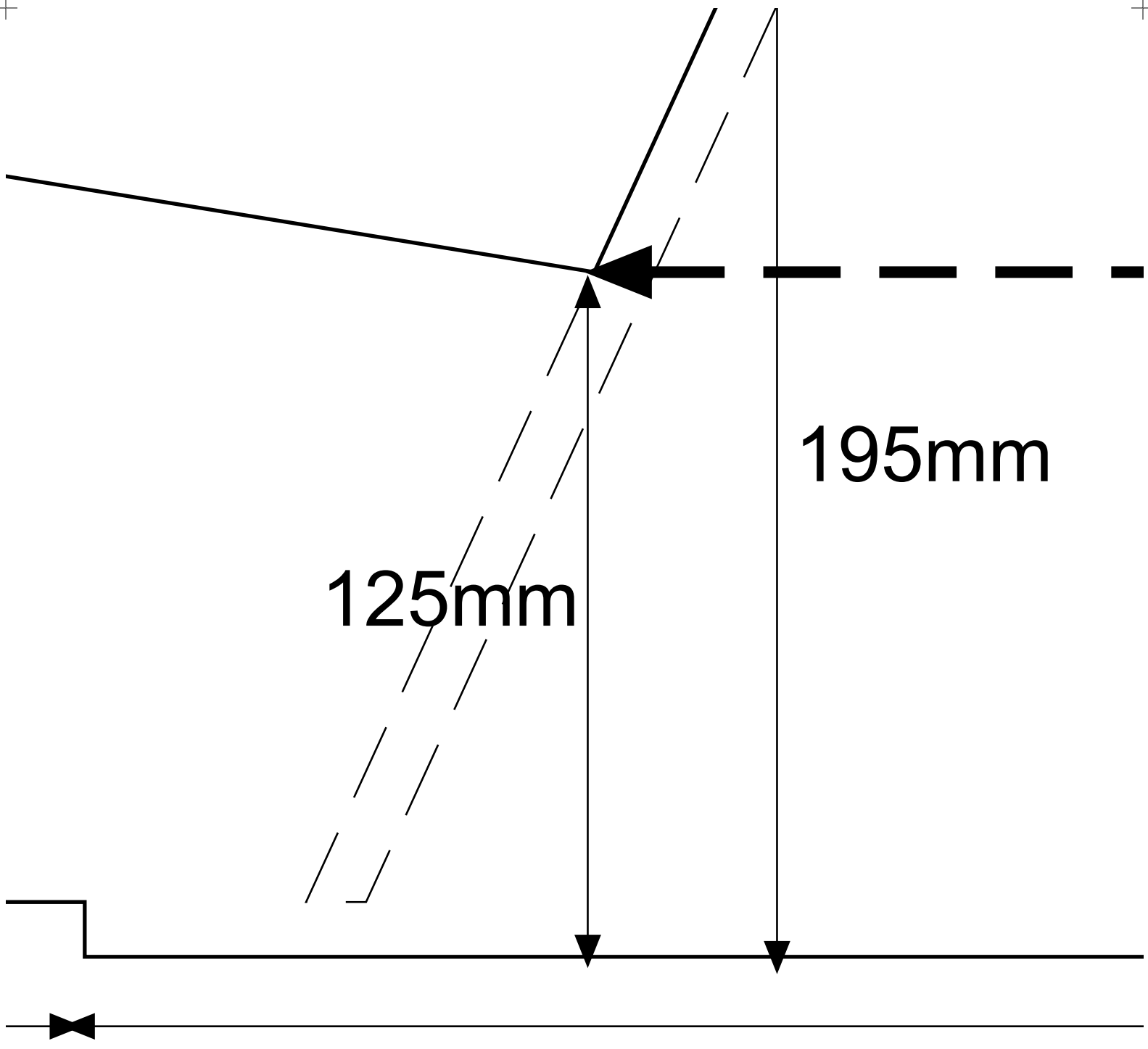


1m

X2

250mm

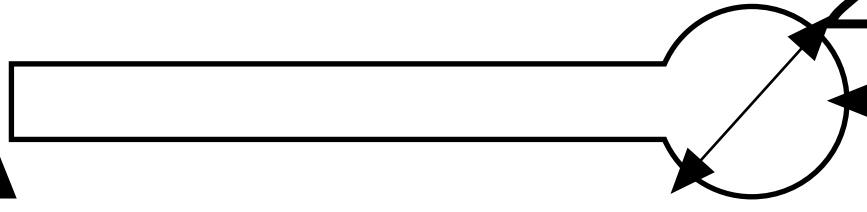
60mm



353mm



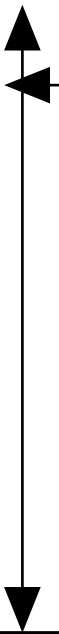
25mm



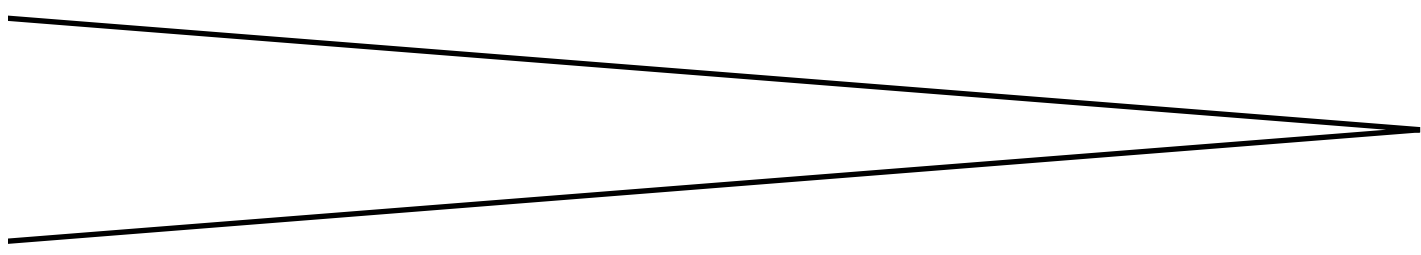
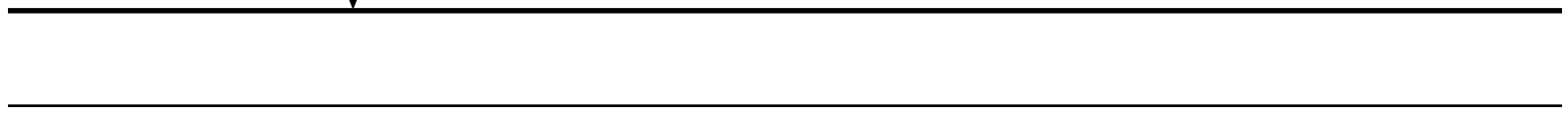
95r

110mm

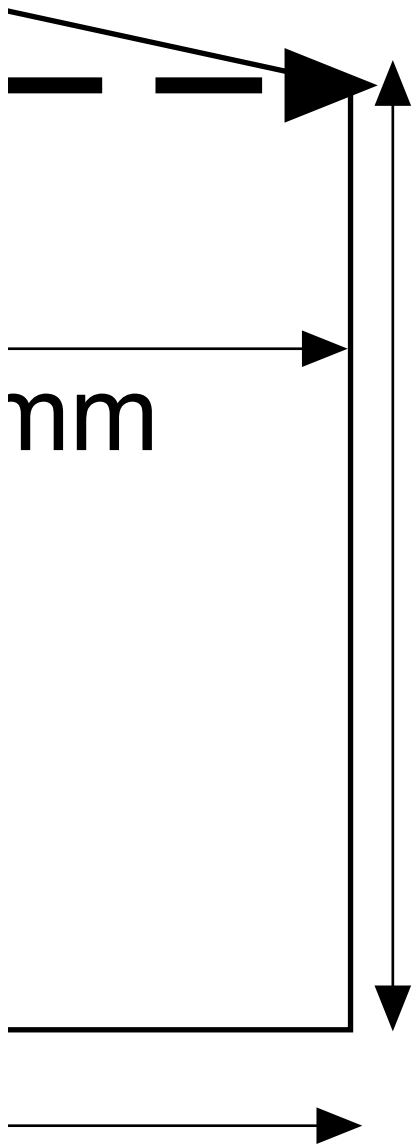
85mm



446mm



nm

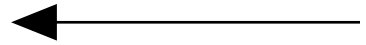
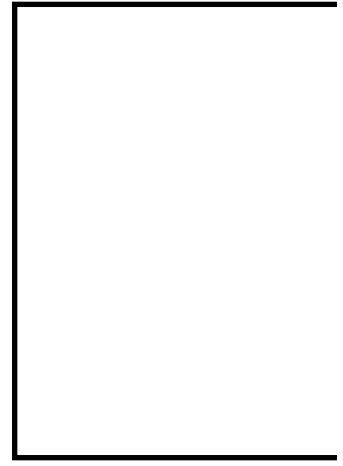
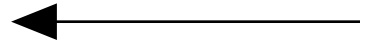


125mm

nm

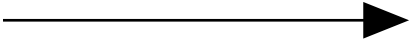
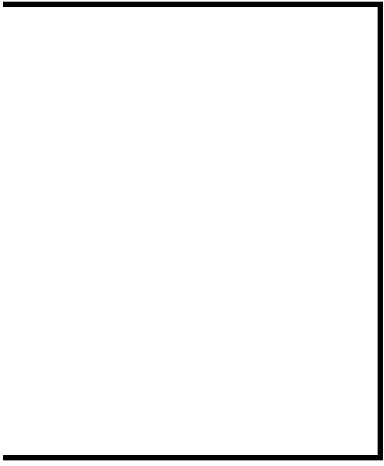
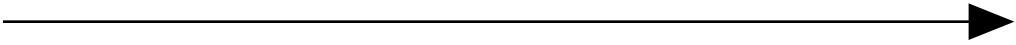
78.44 in

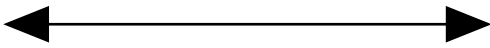
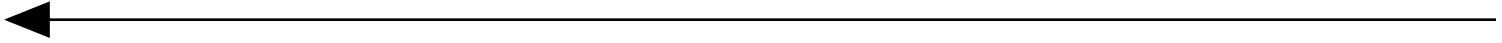




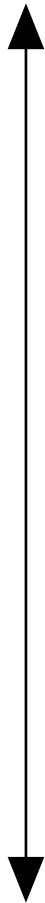
380mm

300mm

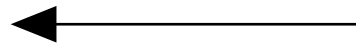




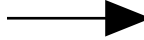
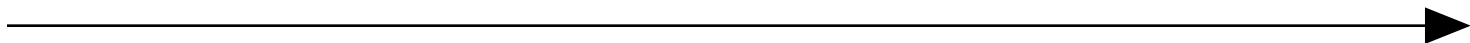
60mm



110mm



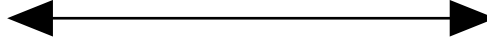
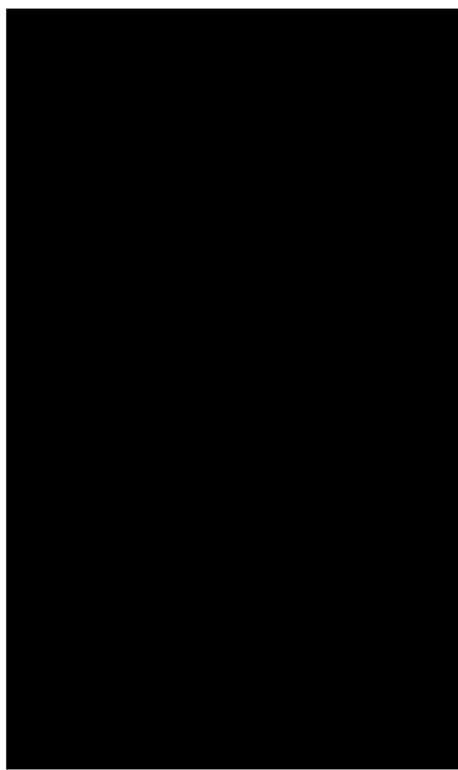
60mm



n



100mm

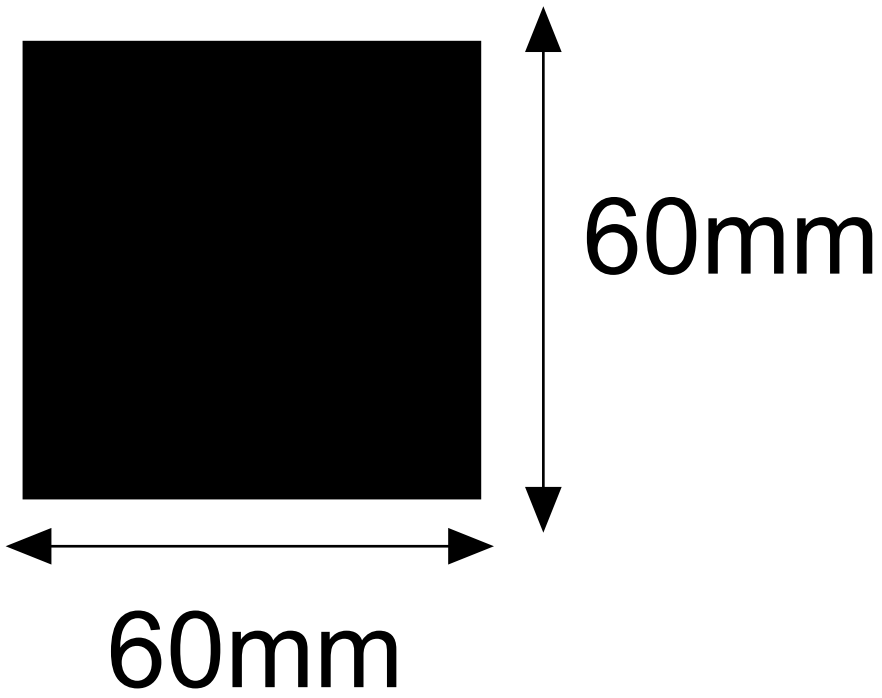


60mm



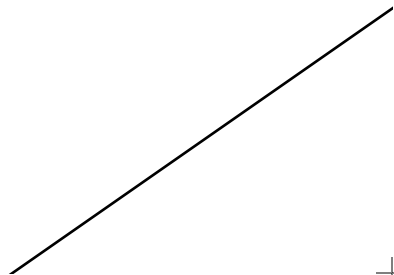
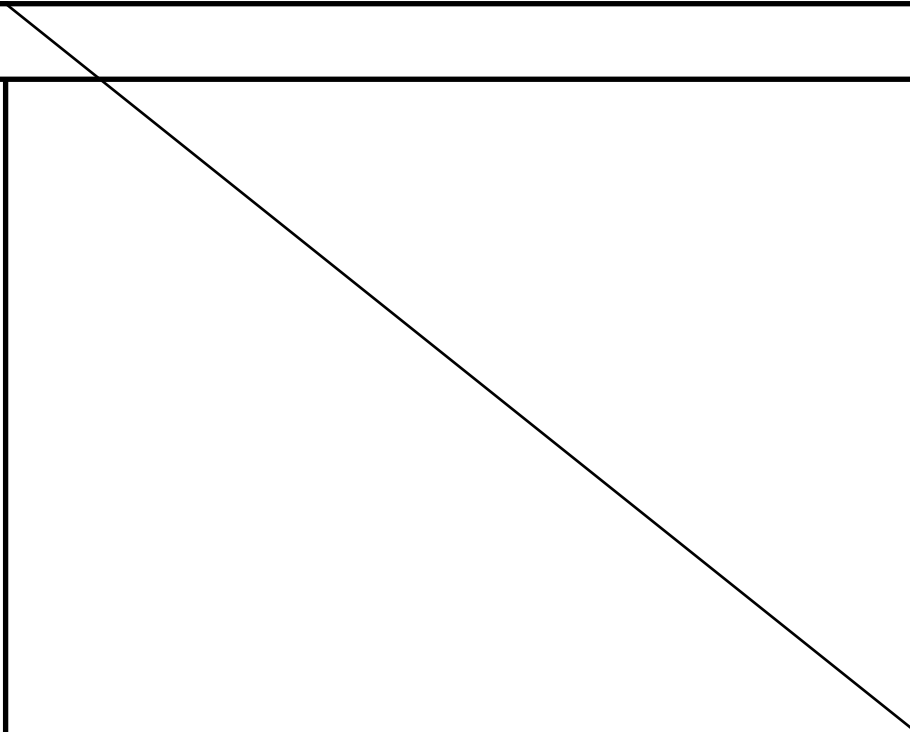
100mm

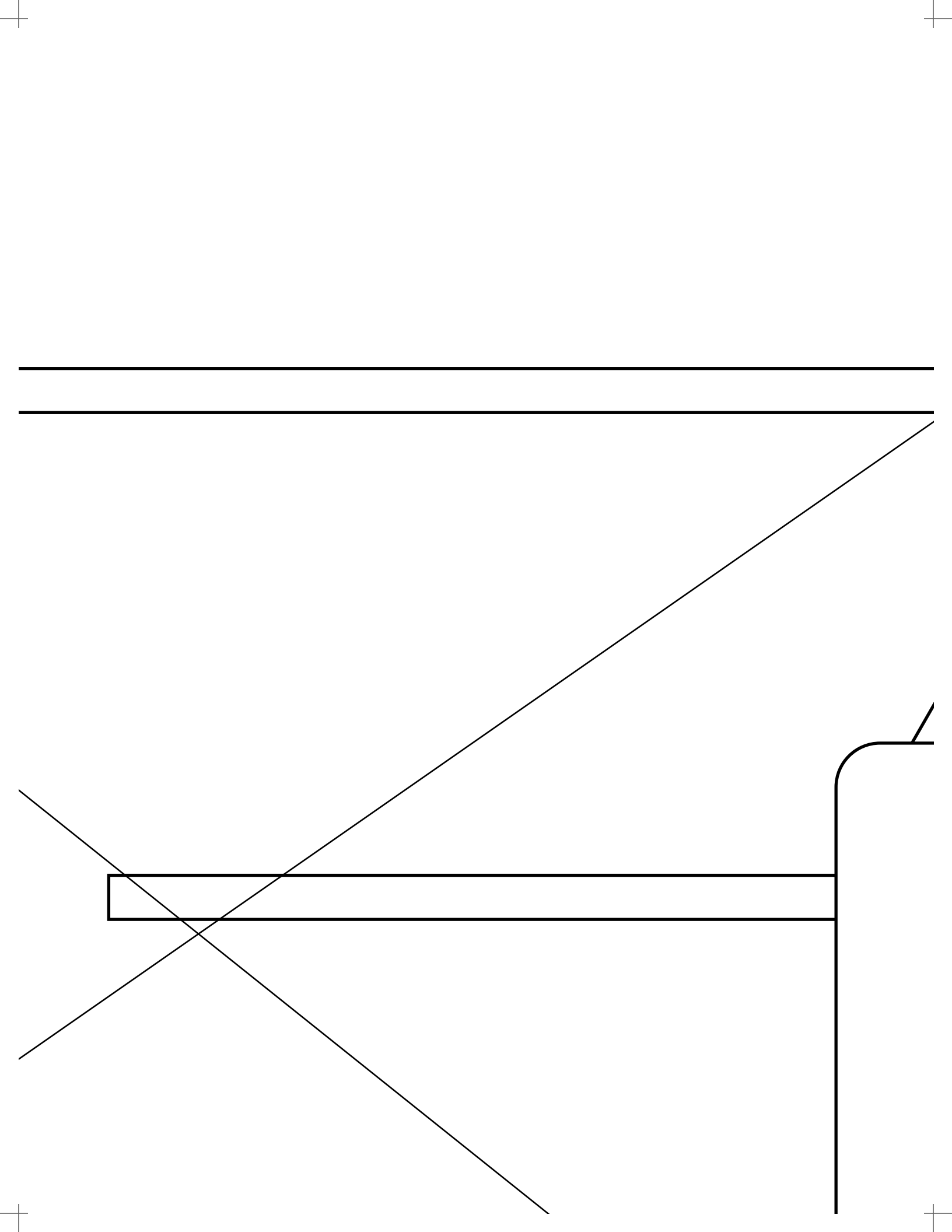
n

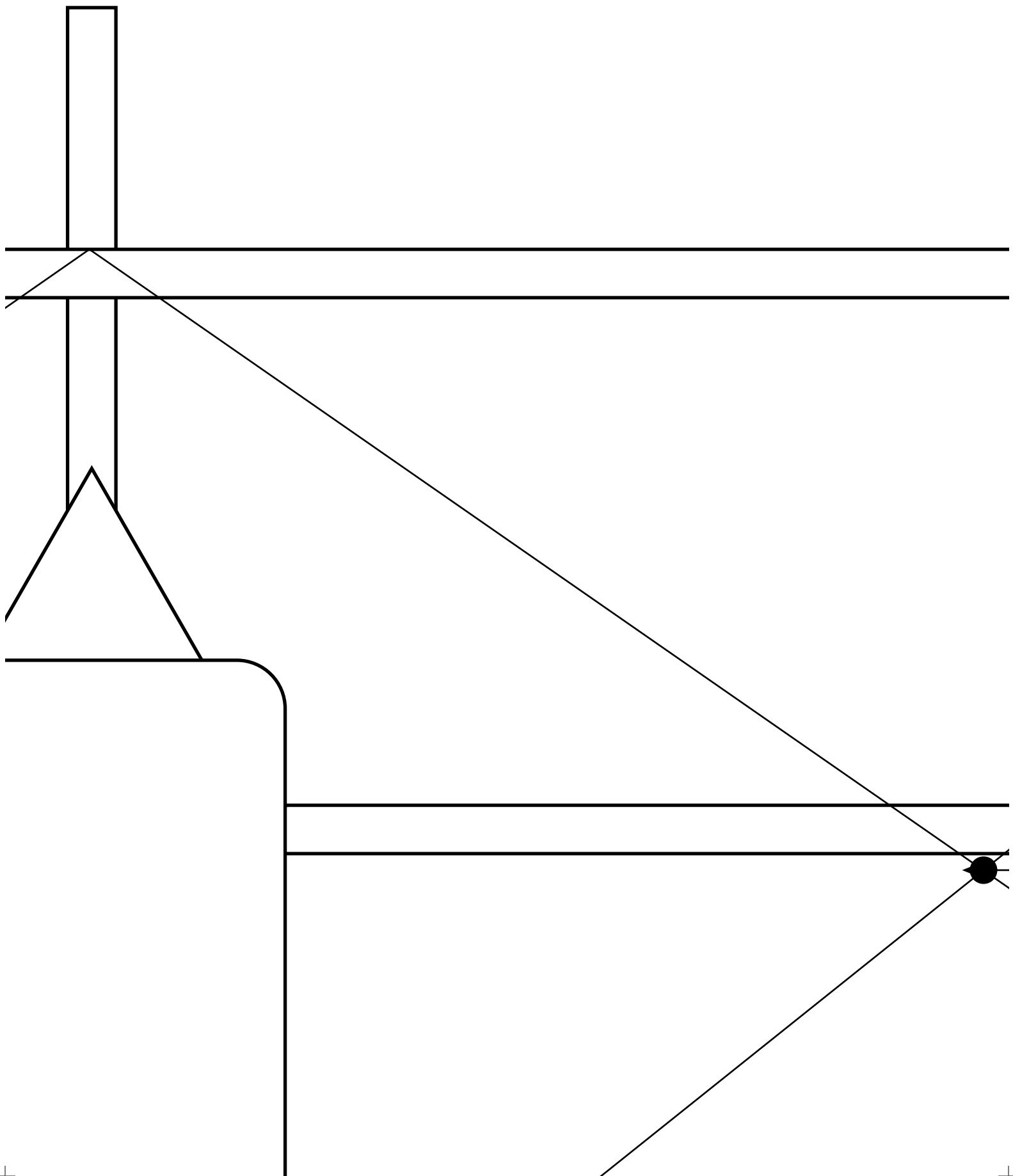


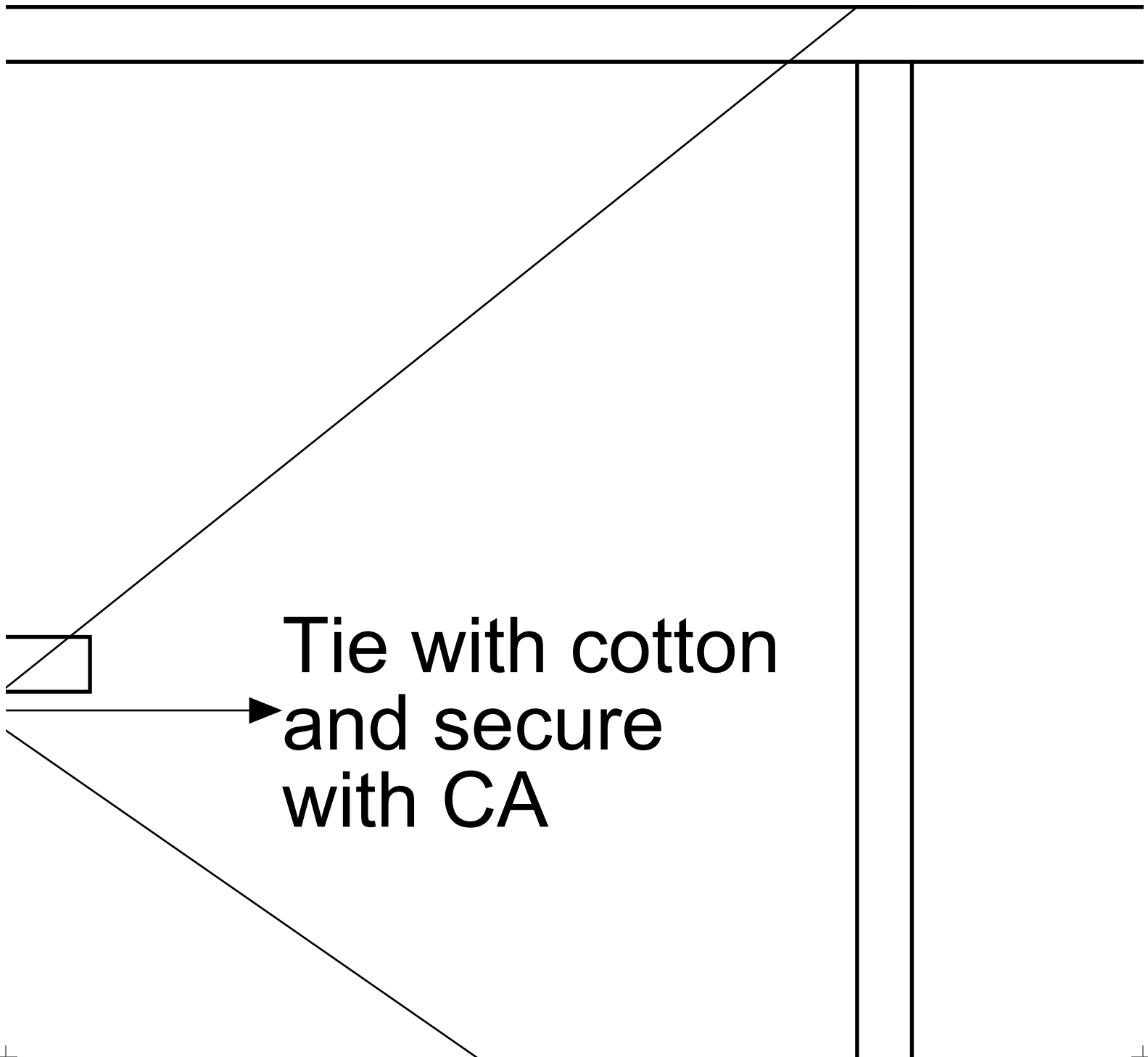












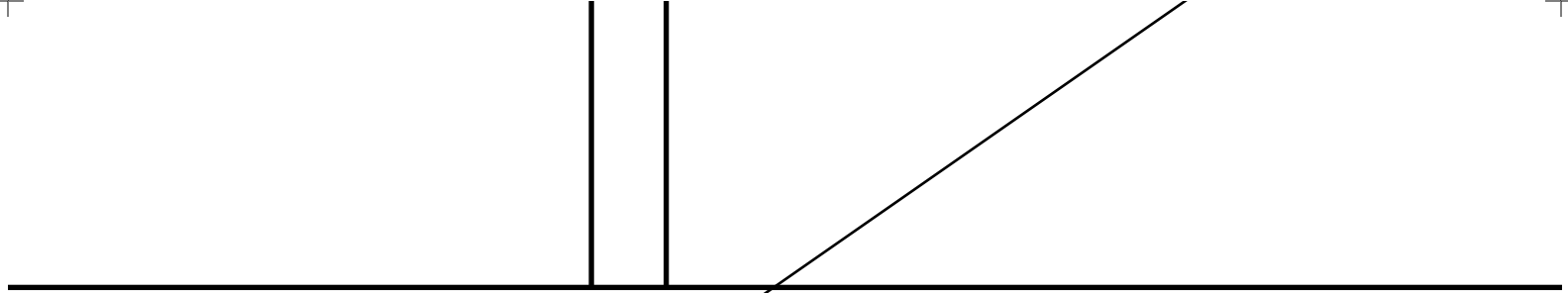
Tie with cotton
and secure
with CA

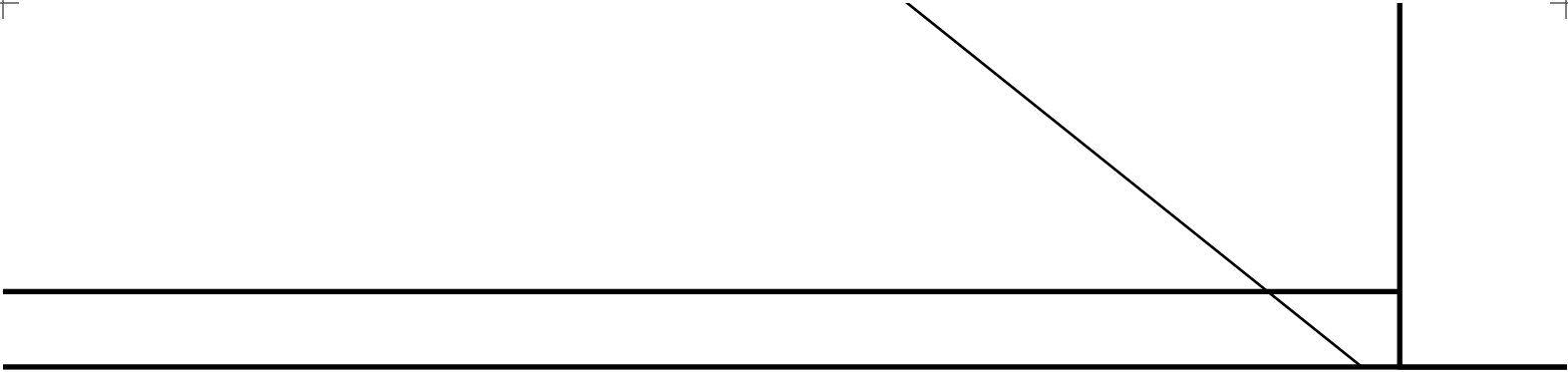


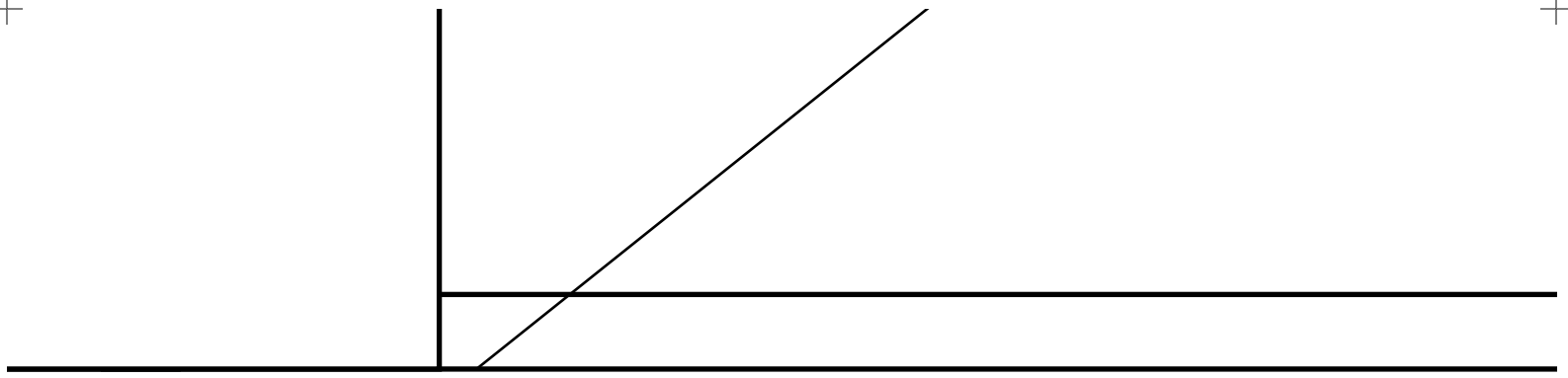












58.84 in 

