

ROU

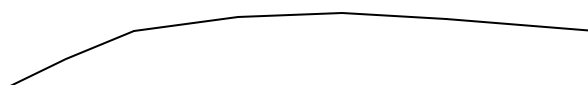
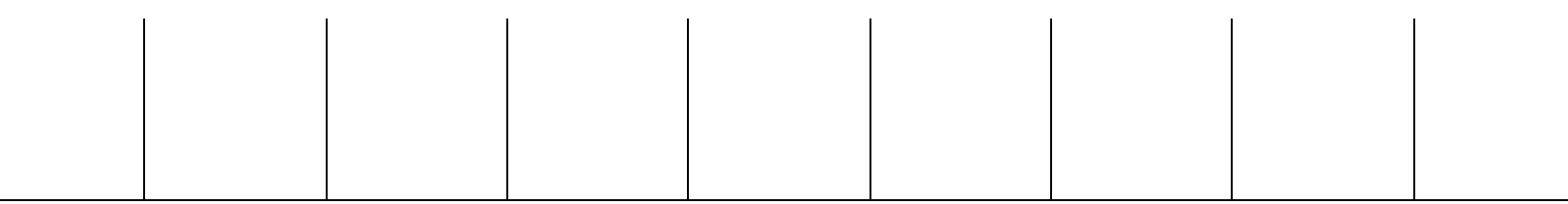
46" W

32" L

CDR

1300M

3 Cha





ughNeck

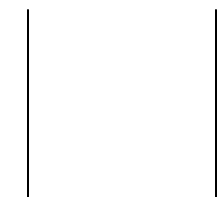
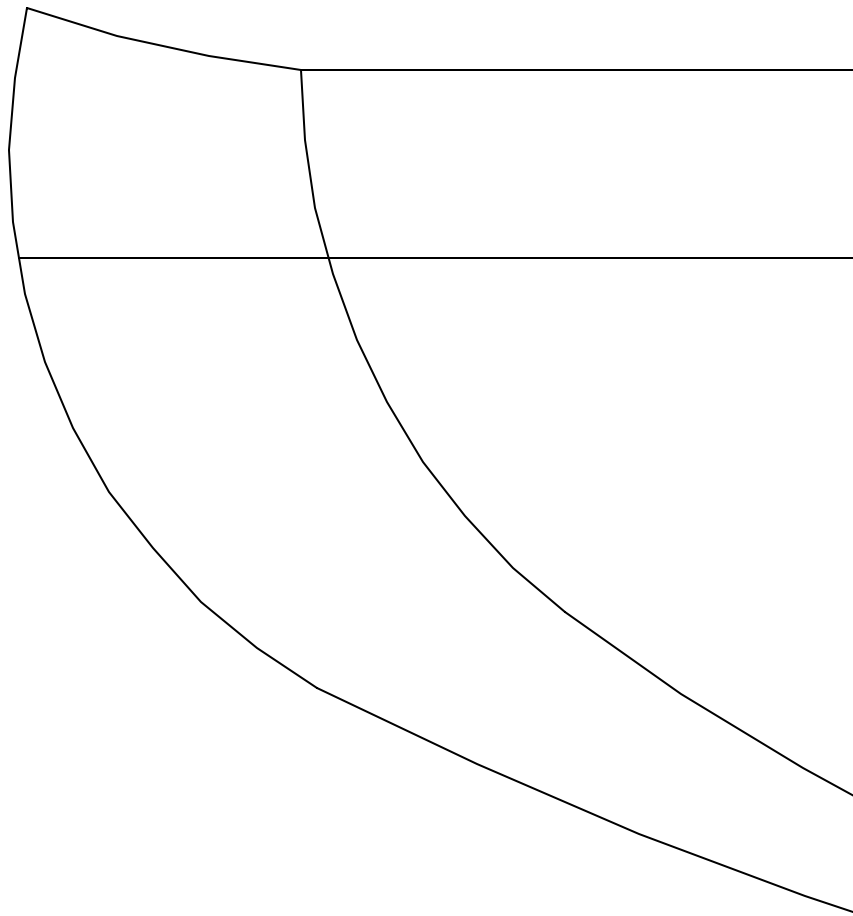
/S undercamber

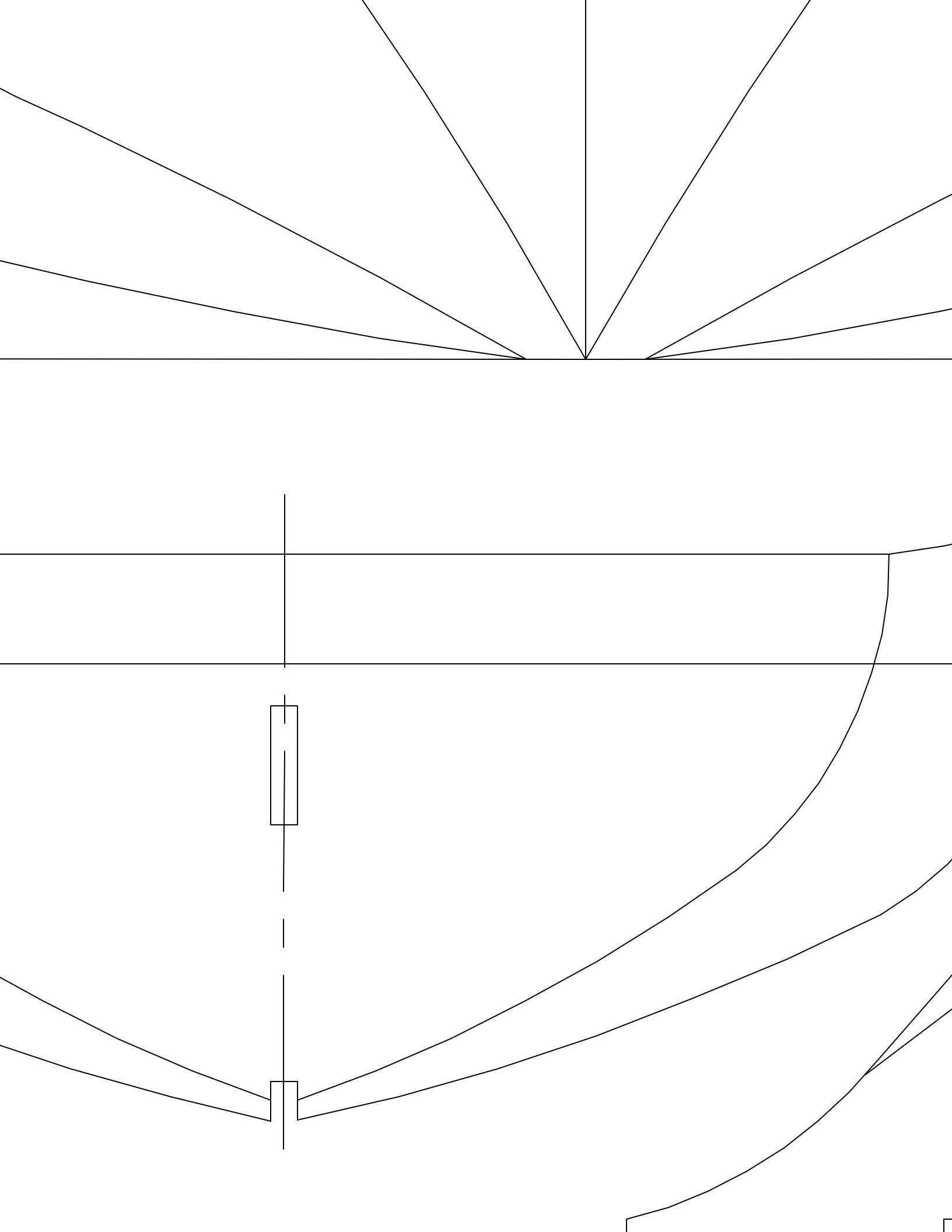
length

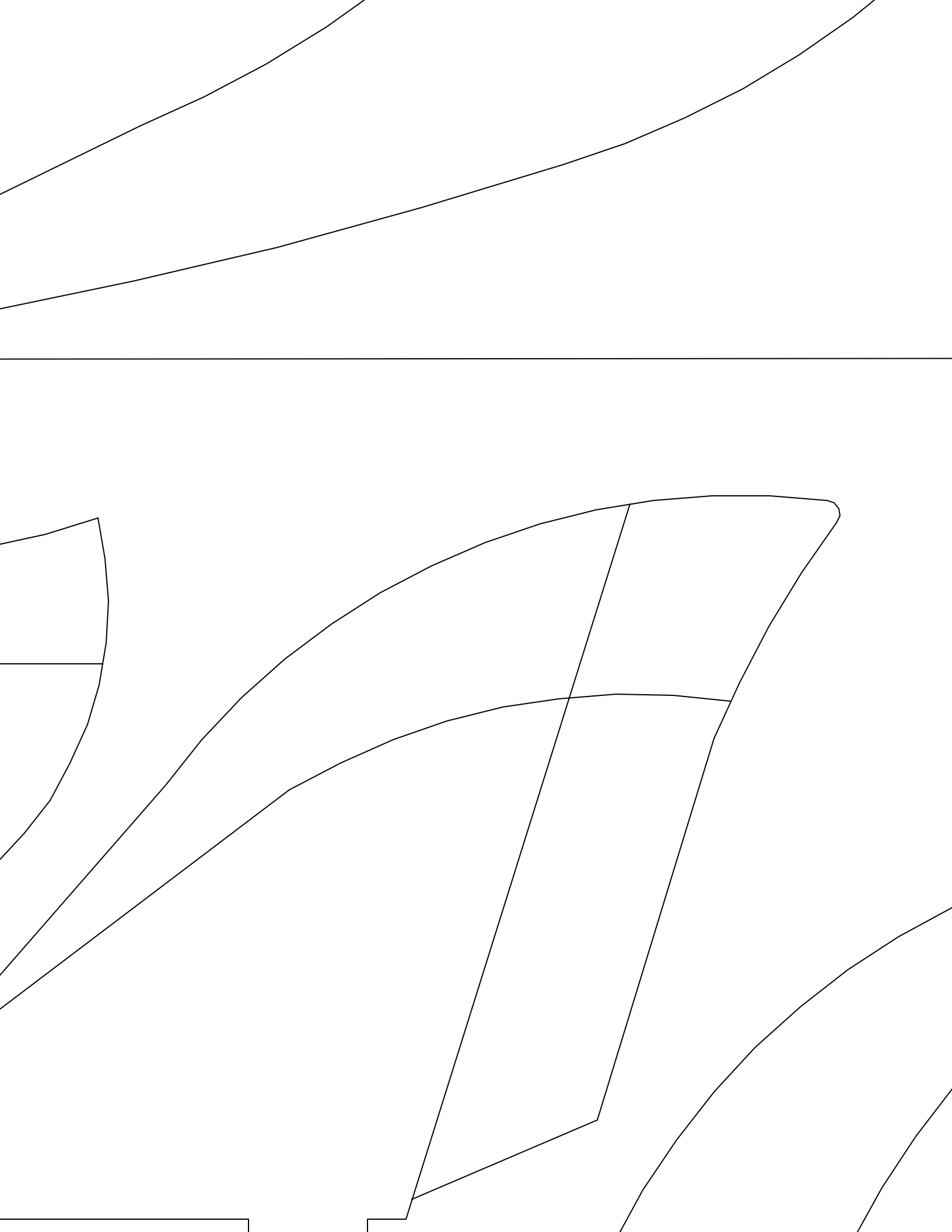
18T 26ga 0840 prop

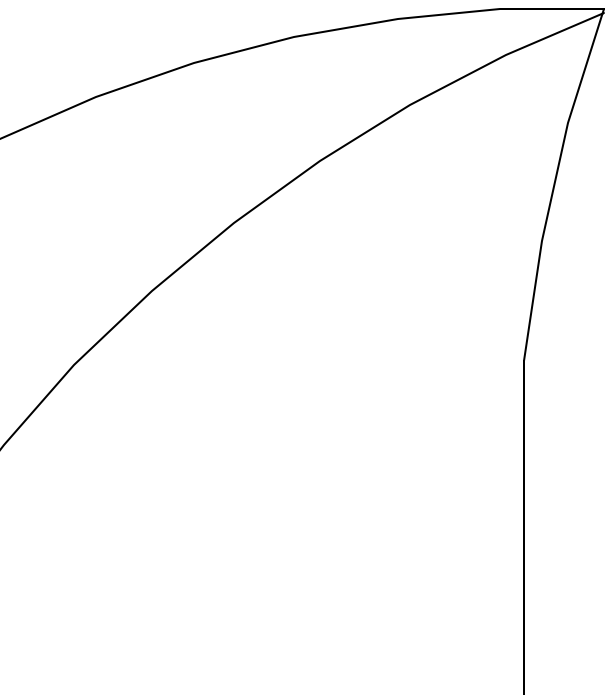
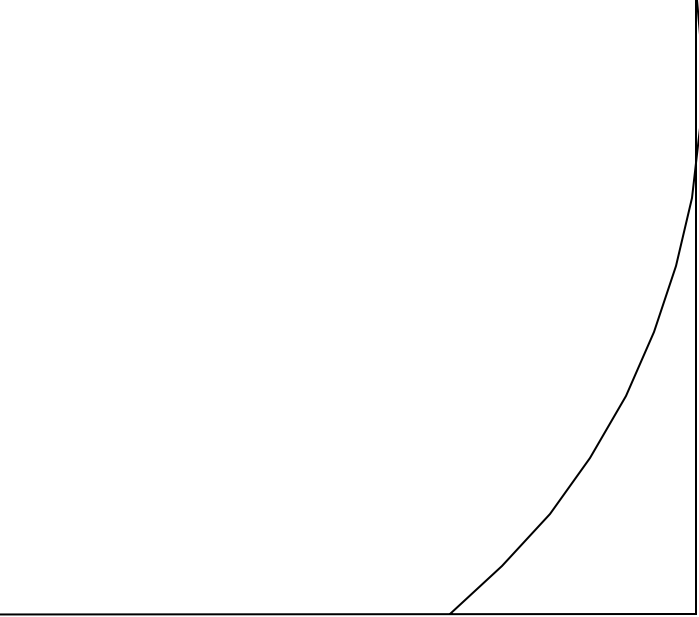
Mha GWS 2s

annel GWS Rcvr

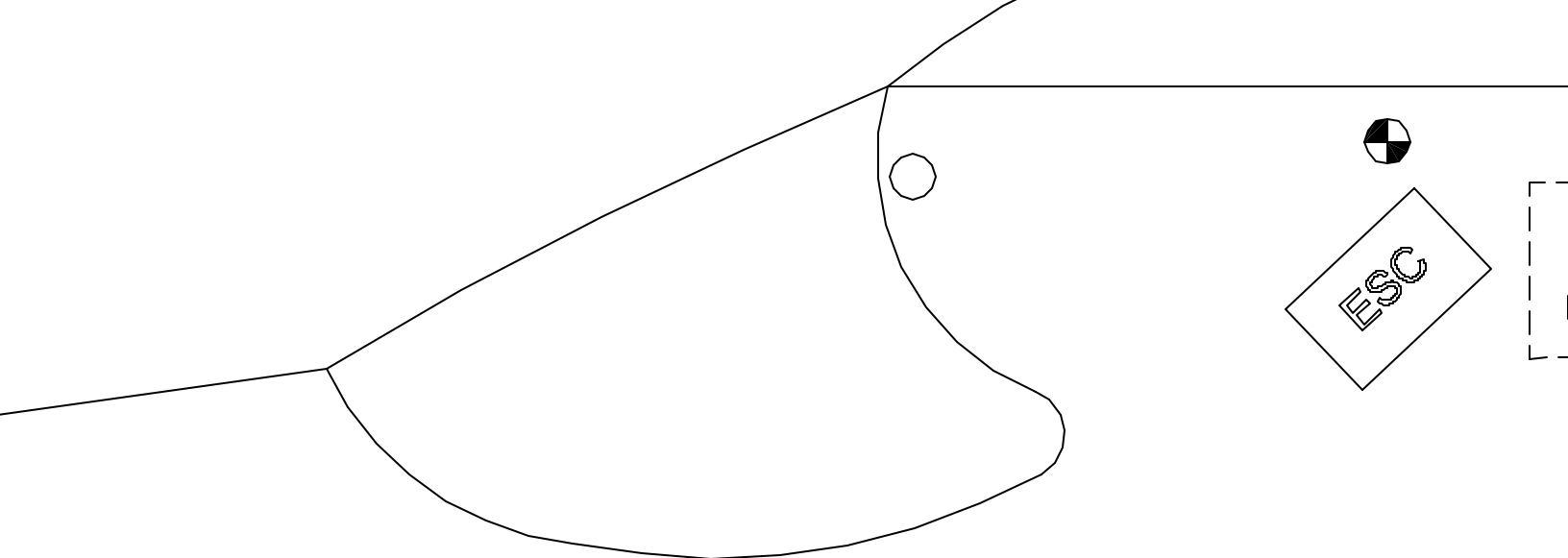








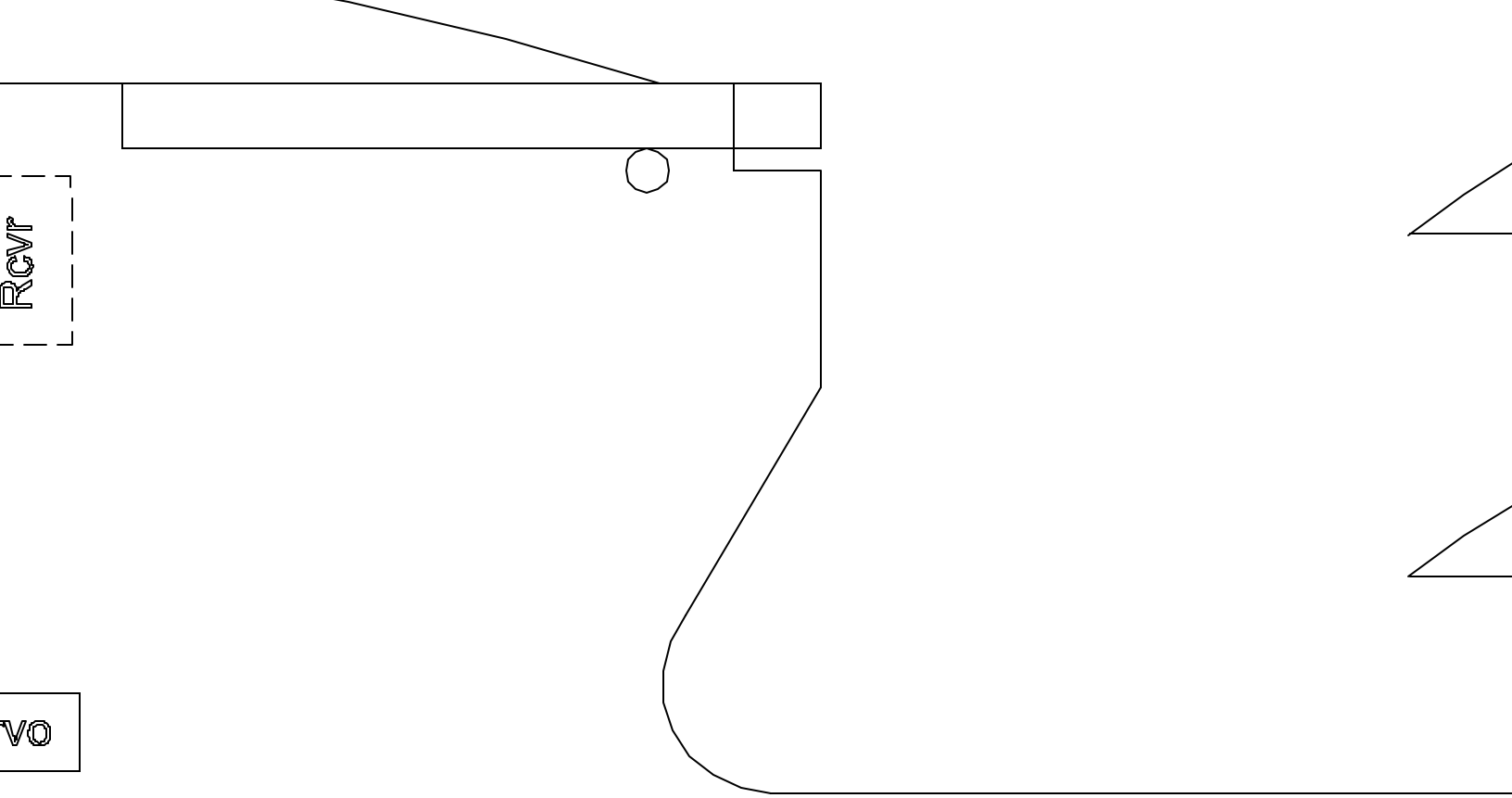
Bat



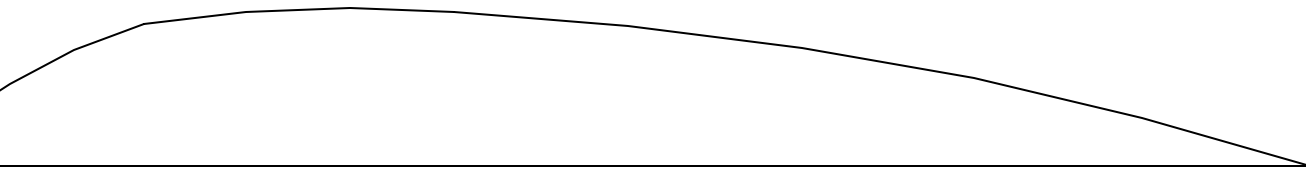
tery

Sen

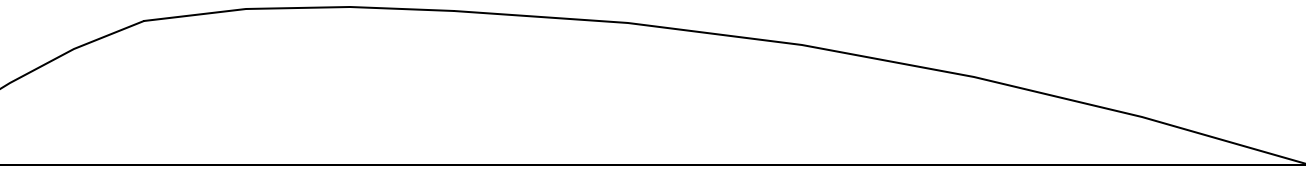
# ***RoughNeck***



1.5" Thick - D



Wing Saddles



Pink Foam Fuselage



