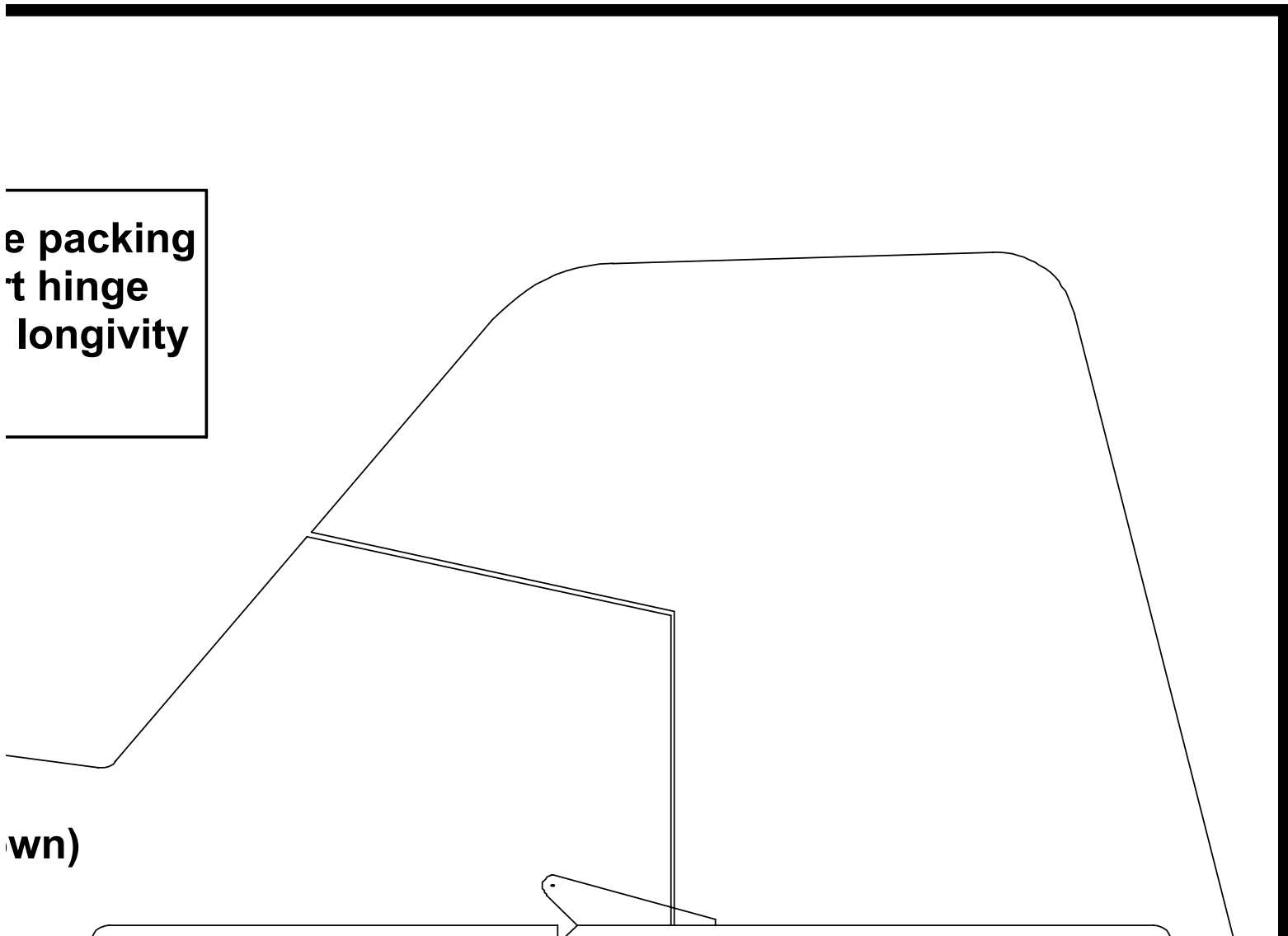


e packing
t hinge
longivity

wn)



n Fuse Rails

Y.COM

—10-12# fish line pull-pull rudder cables

Carbon Tail wheel bracket

**1/16" wire wheel axel/steering arm
(Bend 90 deg. at the top to form
a control arm. Use clamp on ball
link to attach to rudder control horn)**

Motor/Battery Info

Motor Gearing Prop Battery Amp Draw Thrust

GWS EPS350C DS (6.6:1) GWS 12x6 2s1p Lipo 9.5 17.1 oz.

GWS EPS350C DS (6.6:1) GWS 11x4.7 3s1p Lipo 11.5 24.3 oz.

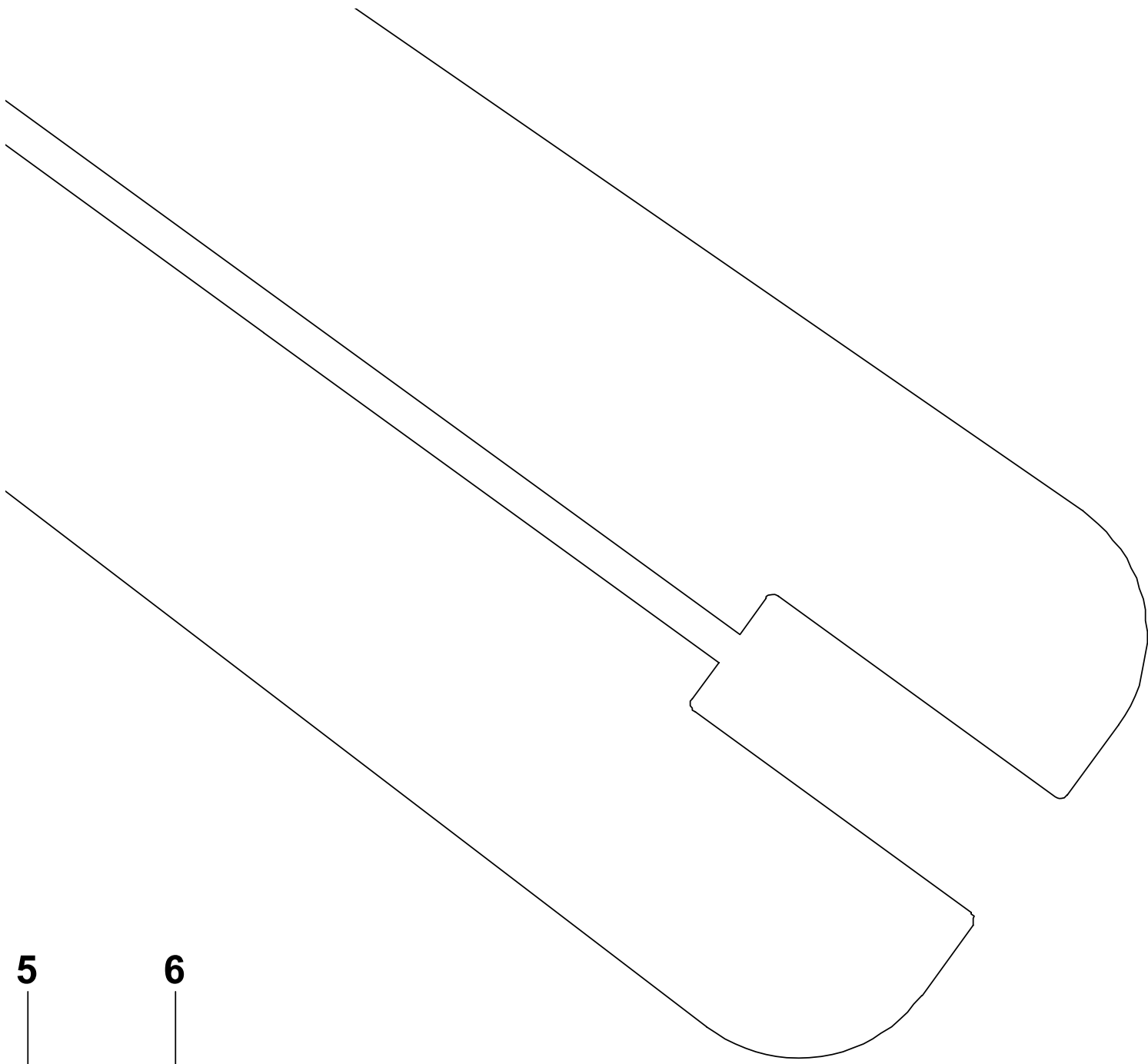
Hacker B20-26S 4:1 Planetary APC 11x4.7 3s1p LiPo 11 amps 22.1 oz.

Hacker B20-31S 4:1 Planetary APC 11x4.7 3s1p LiPo 7.7 amps 18.6 oz.

Hacker B20-15L 4:1 Planetary APC 11x4.7 3s2p LiPo 19.5 amps 38.5 oz.

Hacker B20-15L 4:1 Planetary APC 11x4.7 2s1p LiPo 10.8 amps 20.6 oz.

Hacker B20-18L 4:1 Planetary APC 11x4.7 3s1p LiPo 11.7 amps 27.7 oz.
Hacker B20-18L 4:1 Planetary APC 12x6 3s2p LiPo 19 amps 36.7 oz.
Razor RZ300 GWS/5.3:1 GWS 11x4.7 2s1p LiPo 8.8 amps 15.7 oz.
Razor RZ300 GWS/5.3:1 GWS 12x6 2s1p LiPo 9.9 amps 18.5 oz.
Razor RZ300 GWS/6.6:1 GWS 11x4.7 3s1p LiPo 12 amps 26 oz.
Razor RZ350 GWS/6.6:1 GWS 12x6 3s1p LiPo 12.4 amps 27 oz.
Razor RZ350 GWS/6.6:1 GWS 11x4.7 3s1p LiPo 8.7 amps 21.2 oz.
Razor MicroHeli v2 GWS/6.6:1 GWS 12x6 3s1p LiPo 8.9 amps 22.8 oz.
PJS 3D 500 Direct APC 10x4.7 3s2p LiPo 16.4 amps 21.9 oz.
PJS 3D 550 Direct APC 10x4.7 3s2p LiPo 13.8 amps 20.7 oz.
HiMax HA2015-3600 GWS/5.3:1 GWS 12x6 3s1p LiPo 8.7 amps 20.5 oz.
HiMax HA2015-3600 GWS/6.6:1 GWS 12x6 3s1p LiPo 6.5 amps 18.5 oz.
HiMax HA2015-4100 GWS/6.6:1 GWS 12x6 3s1p LiPo 11.2 amps 26.4 oz.
HiMax HA2015-4100 GWS/5.3:1 GWS 11x4.7 3s1p LiPo 11.6 amps 25.2 oz.
HiMax HA2015-5400 GWS/6.6:1 GWS 12x6 2s1p LiPo 10.2 amps 17.8 oz.
HiMax HA2025-3236 3.6:1 Planetary APC 11x4.7 3s2p LiPo 14 amps 29.3 oz.
HiMax HA2025-3236 3.6:1 Planetary APC 12x6 3s2p LiPo 17 amps 32.2 oz.
HiMax HA2025-4236 4.3:1 Planetary APC 11x4.7 3s2p Lipo 20.2 amps 38.1 oz.



5 **6**



Weight	10.5-15.5 oz.
Thrust	24-39 oz.
Radio	4-5 Chanel
Area	380.2 in2
Loading	4.0-6.1 oz/ft2
WWW.3DFOAMY.COM	

Pitts S2C 3D

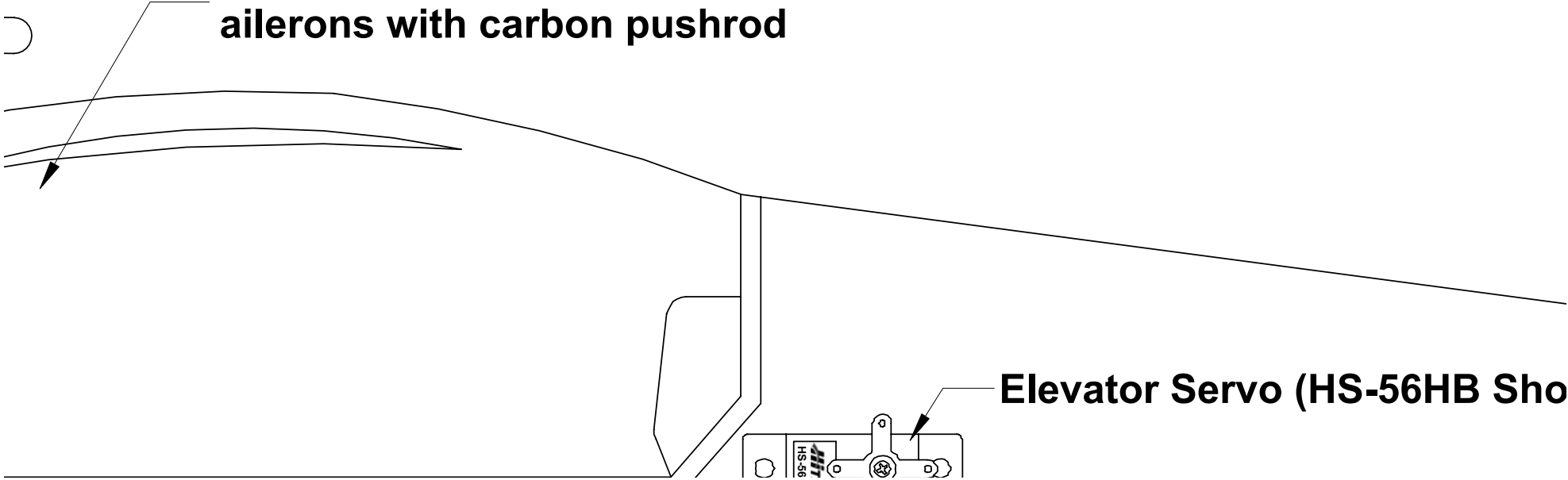
3DFOAMY

Copyright © 2004 3DFoamy.com.
All rights reserved.
Designed and Drawn by Levi Jordan
Updated: 07/11/04.



All hinging for control surfaces can be done with tape or actual hinges. I prefer robar points epoxied in place for the added strength and control freeness.

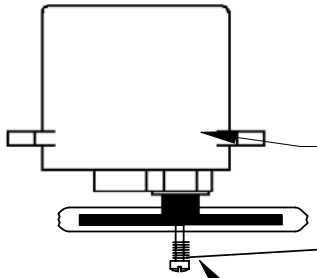
Connect upper and lower ailerons with carbon pushrod





6mm Depron

WWW.3DFOAM



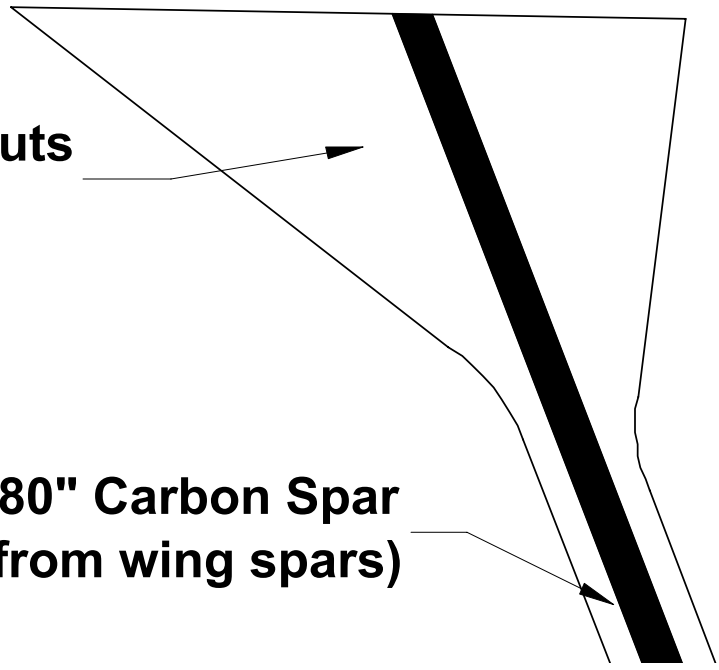
Rudder Servo (HS-56HB Shown)

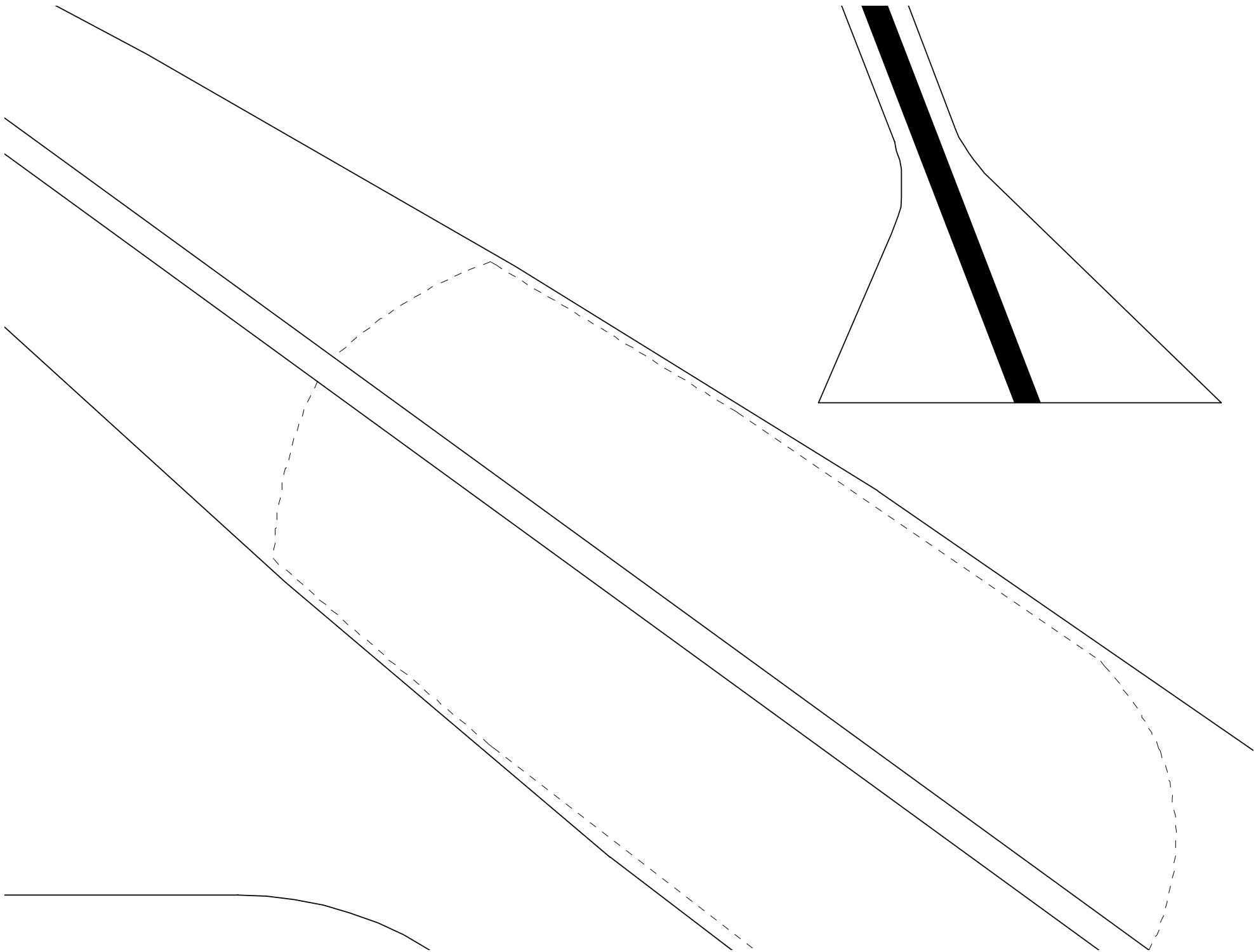
Use 2-56 screw threaded into servo arm to tension pull-pull lines. As you tighten the screw down, it wraps up the line, tightening it.

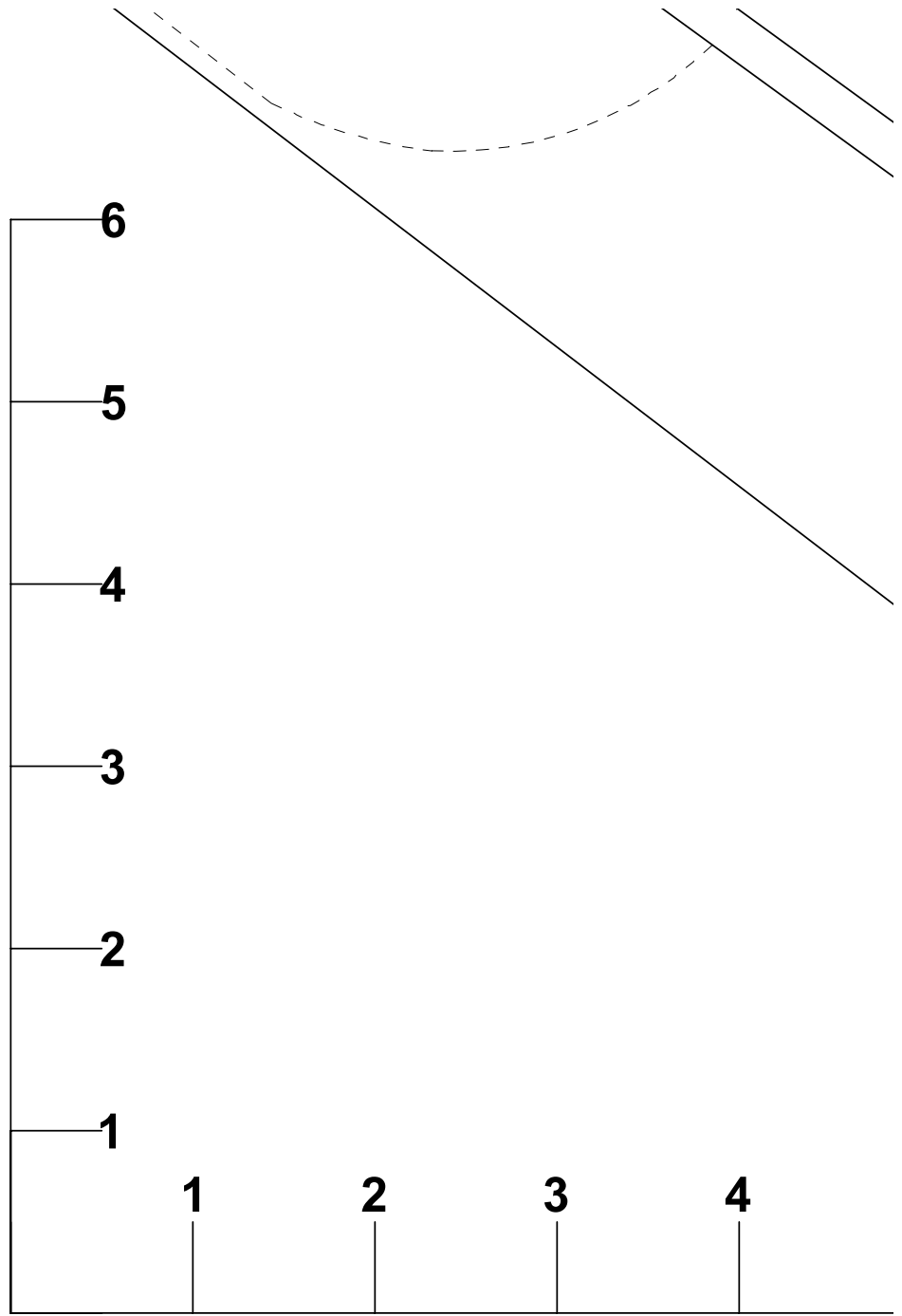
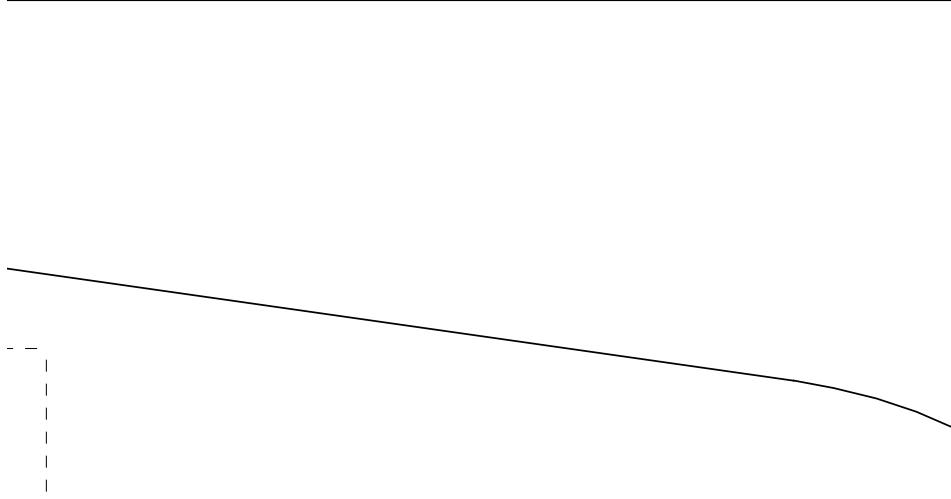
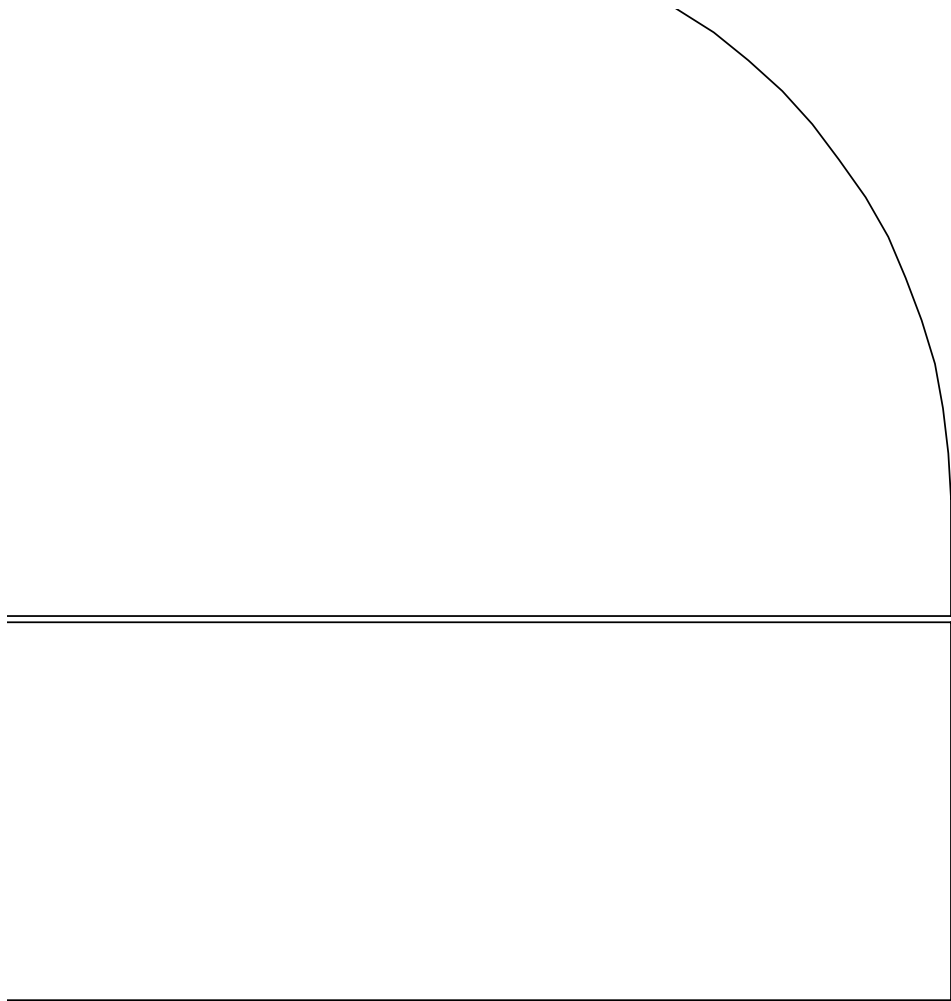
B Shown)

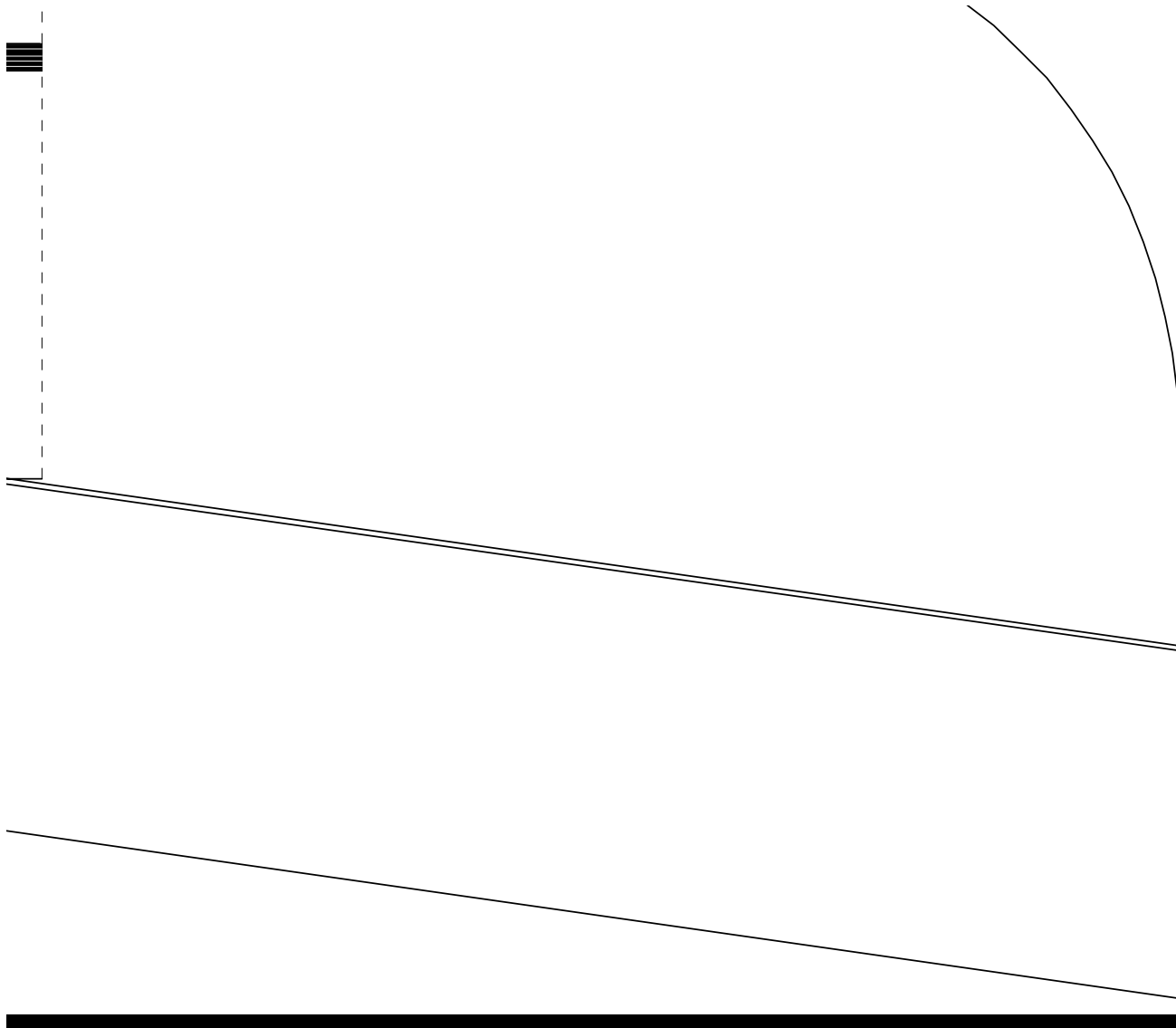
6mm Depron Struts

.180" Carbon Spar
(Left over from wing spars)



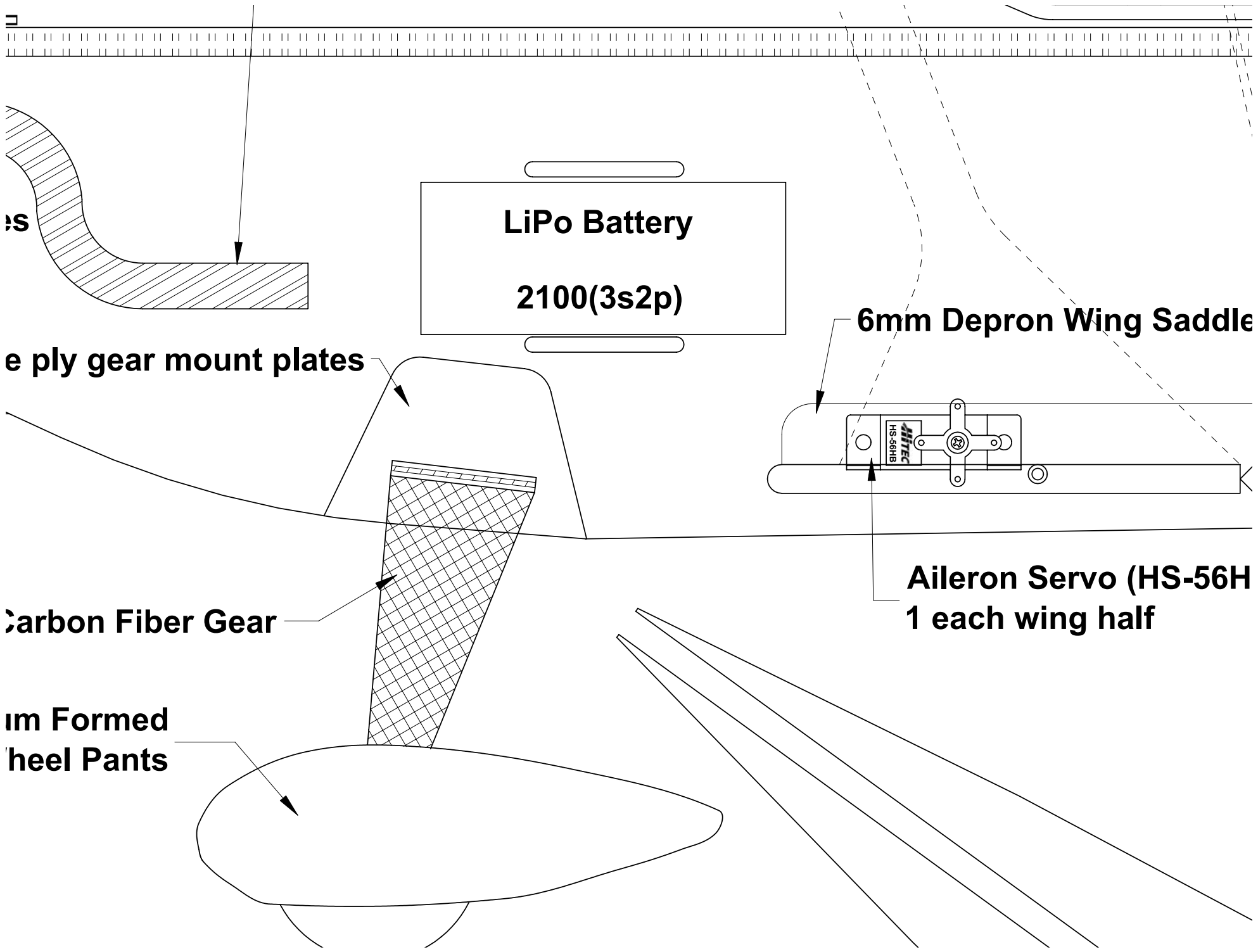






Specs:

3D FC



AS

LiPo Battery

2100(3s2p)

6mm Depron Wing Saddle

ply gear mount plates

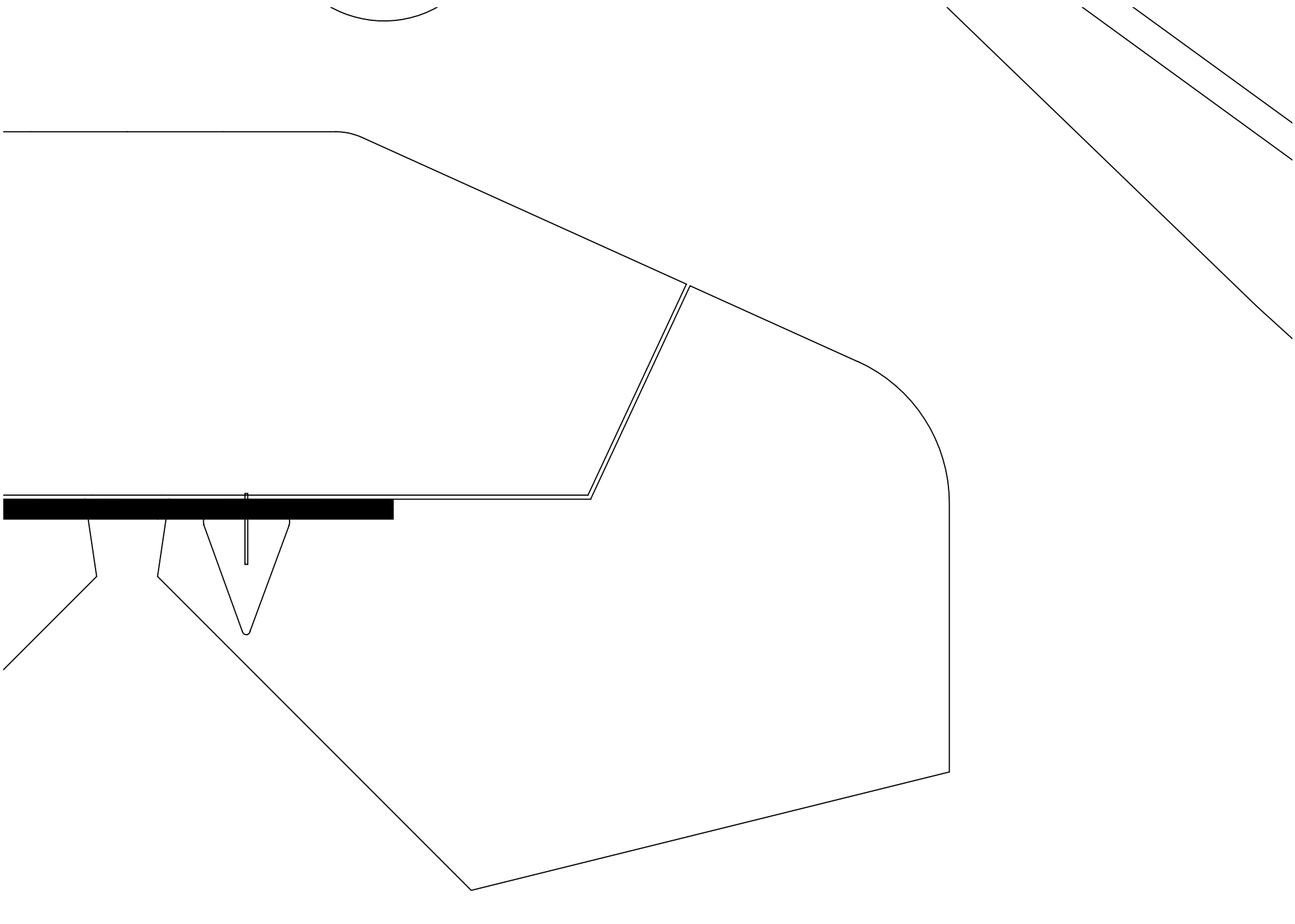
Carbon Fiber Gear

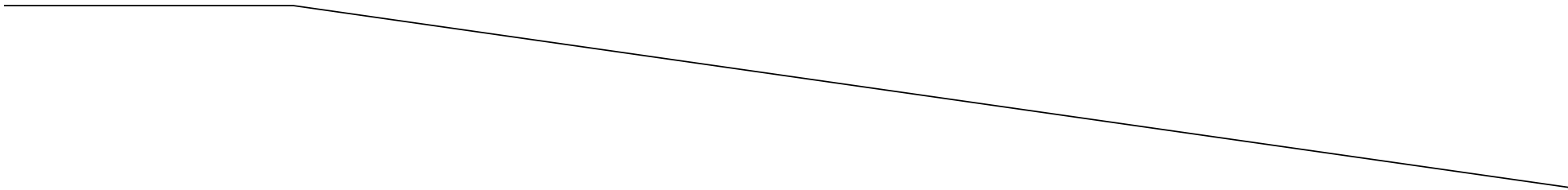
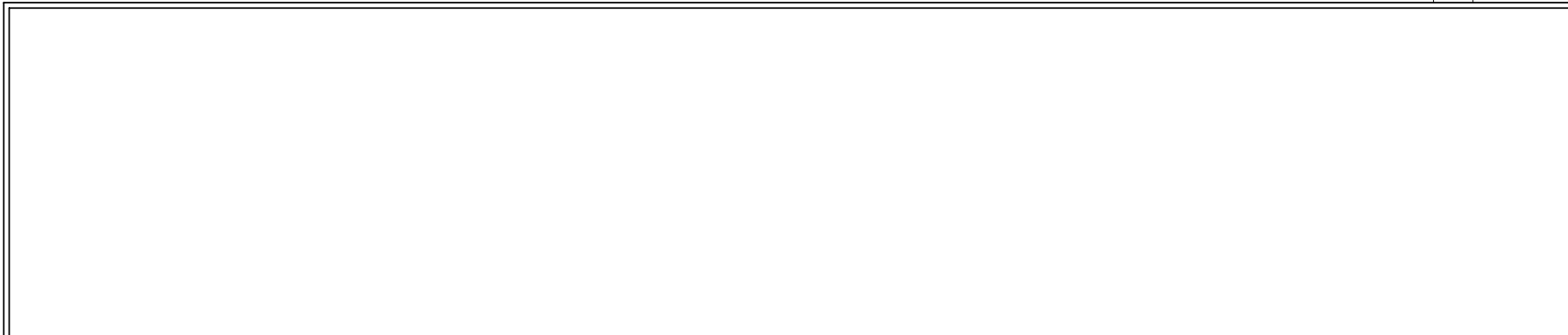
Aileron Servo (HS-56H

1 each wing half

**Thin Formed
Heel Pants**

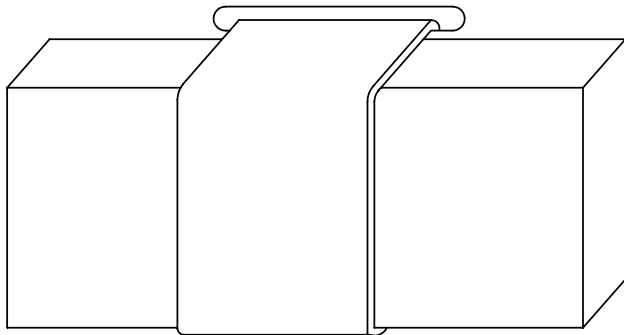
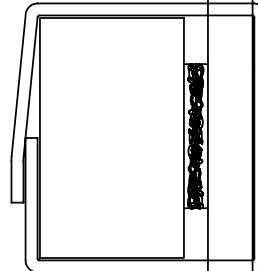
**HITEC
HS-56HB**







**Mount Battery Pack
with 1" Velcro strap.
Also use adhesive
Velcro on the side of
fuselage and back of
pack to secure in
place.**

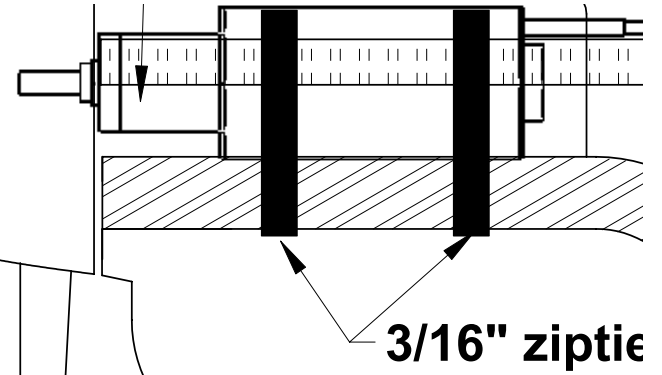
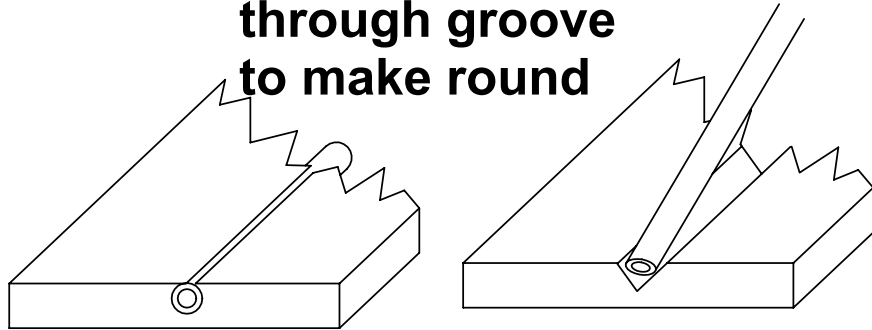


1° positive incidence

**Laser cut 1/4" birch
Epoxy into plane
CA on the n**

Hacker B20-15L sh

**Cut a "V" groove
in foam for
spars. Pull spar
through groove
to make round**

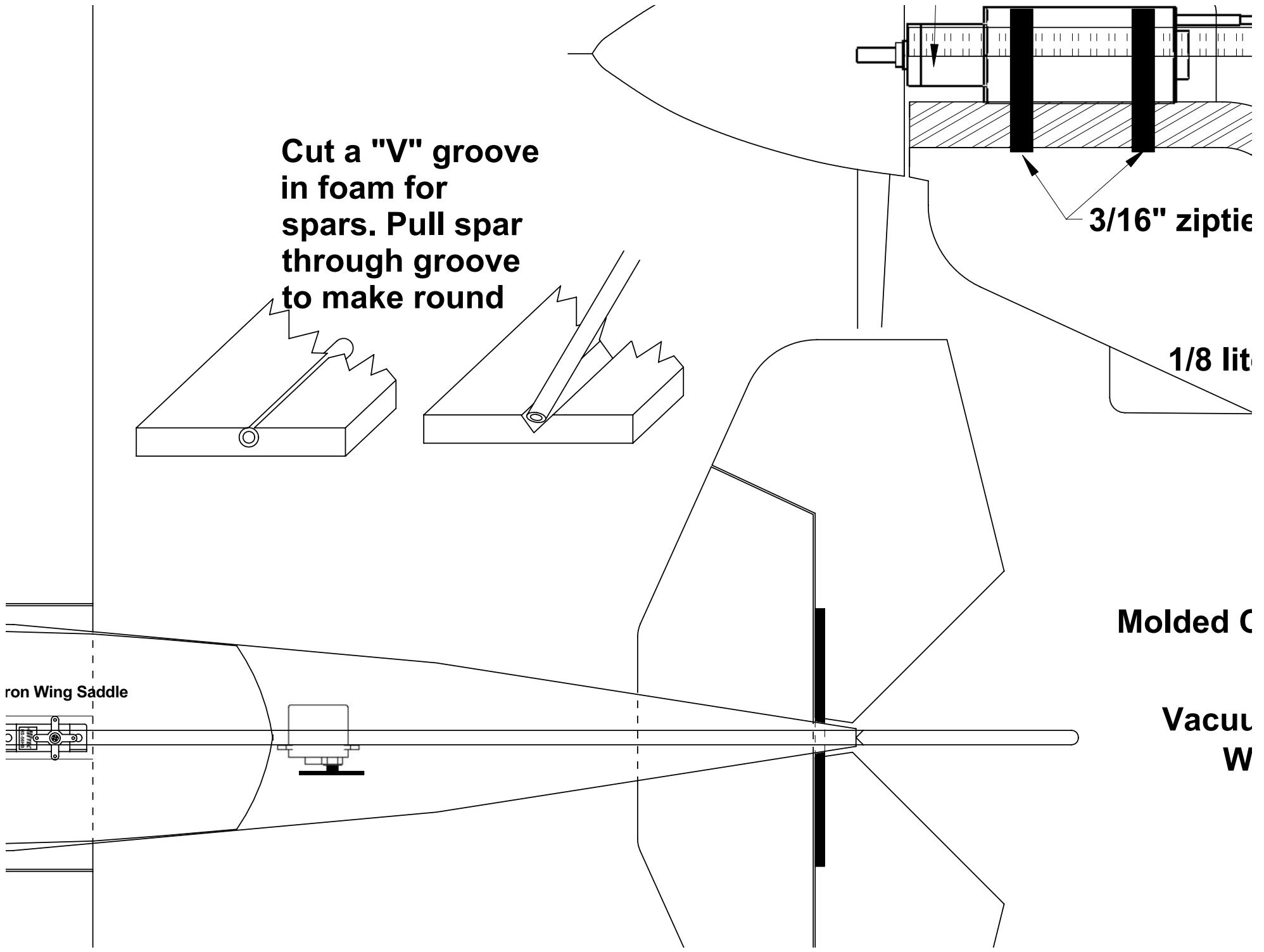
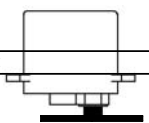
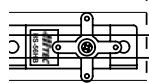


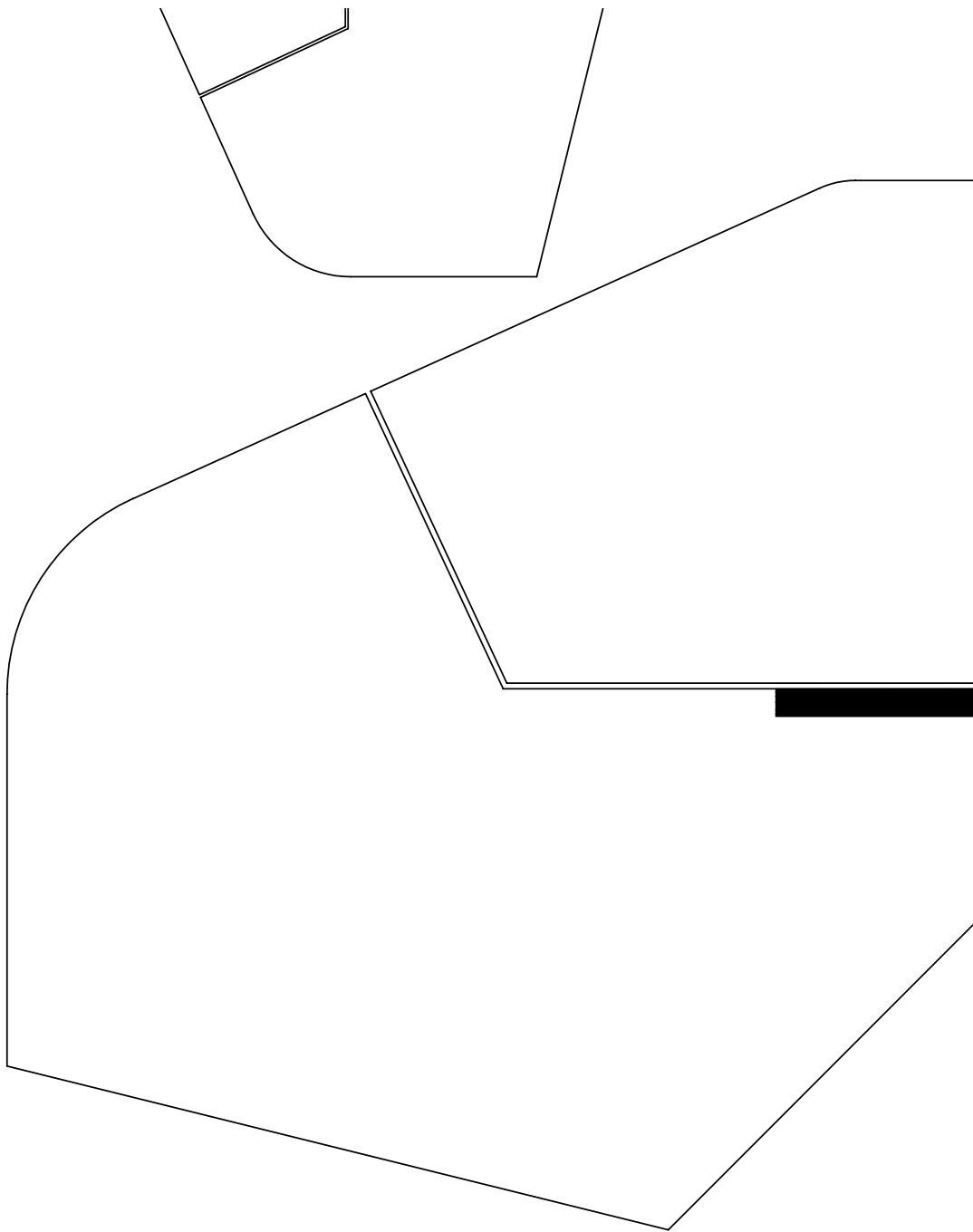
1/8 lit

Molded C

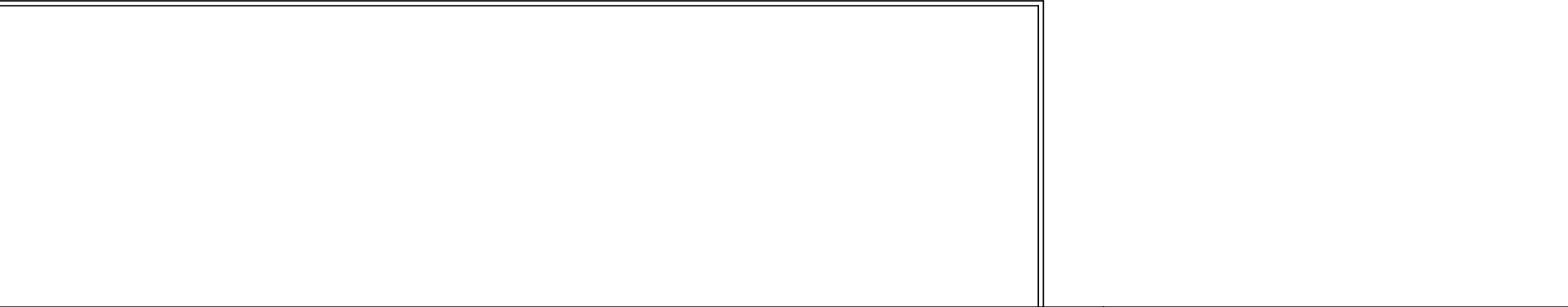
**Vacu
W**

Iron Wing Saddle



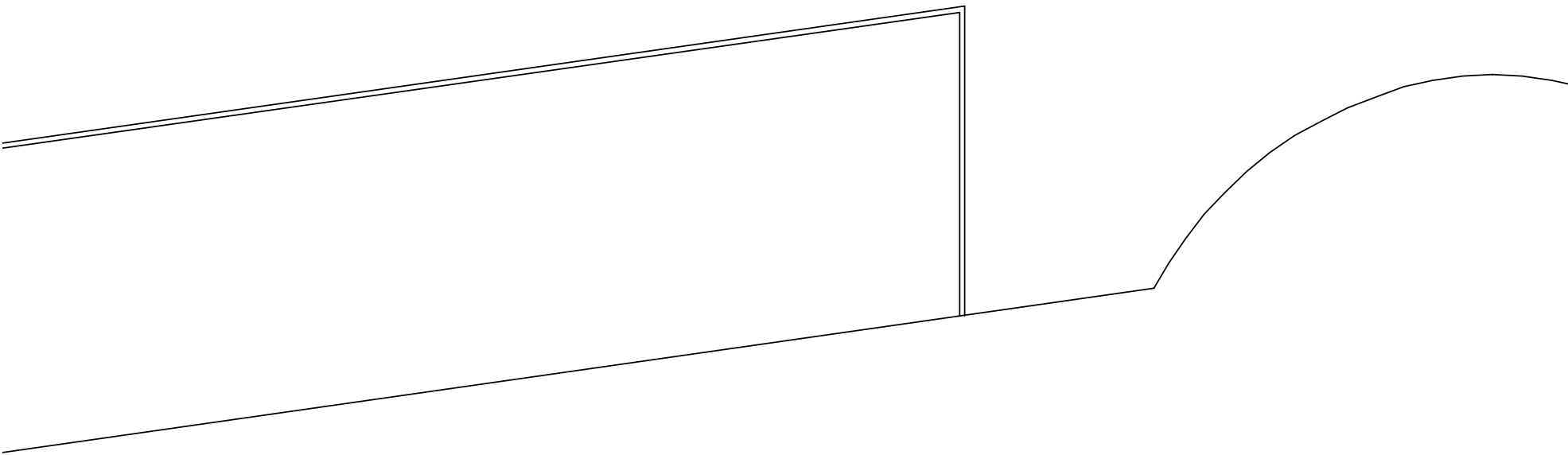


Cut bottom Spar to 22"



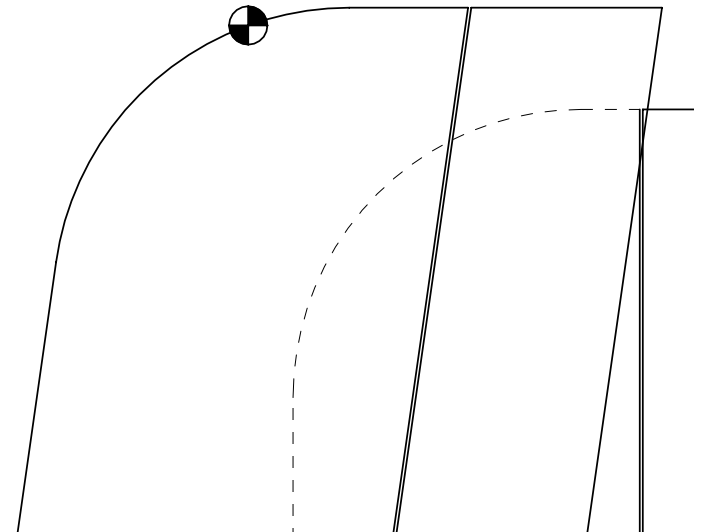
Cut Top Spar to 22"

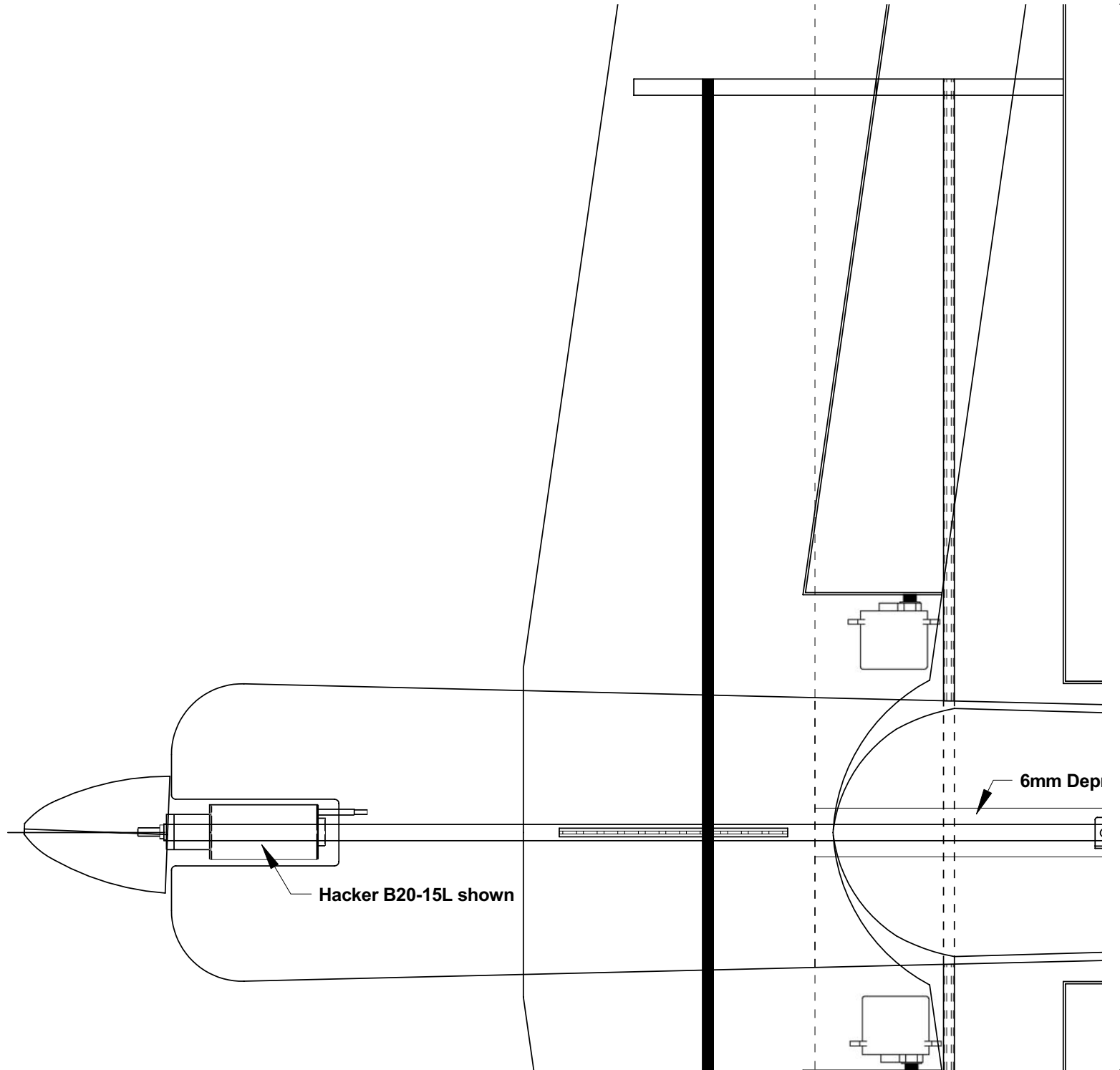




Notes on the fuse:

Make sure to use 5-15 minute epoxy for the main parts...foam CA are not strong enough, and will crack under the torque.





Cut Control horns from 1/32" ply or a plastic coffee can lid.

